

6

5

4

3

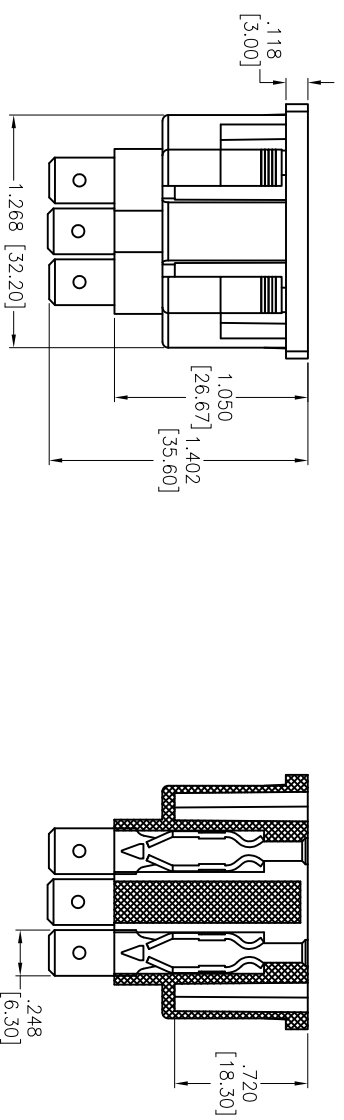
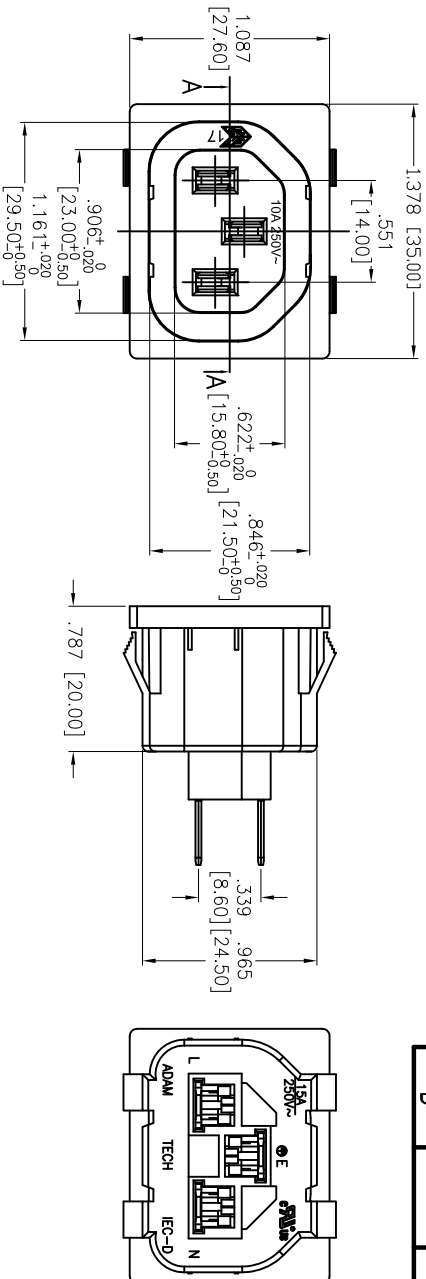
2

1

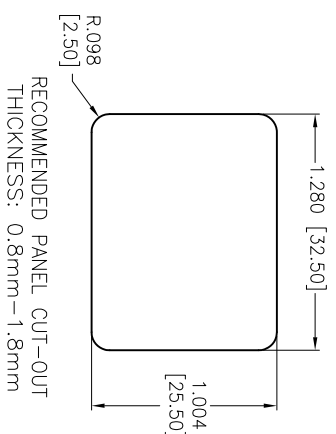
APPROVED: \_\_\_\_\_

DATE: \_\_\_\_\_ TITLE: \_\_\_\_\_

| Rev | AWO # | Description                   | Date     | Appr |
|-----|-------|-------------------------------|----------|------|
| -   |       | RELEASED                      | 8/1/04   |      |
| A   |       | UPDATED OPERATING TEMPERATURE | 3/3/11   |      |
| B   |       | REVISED SHAPE & DIM.          | 8/28/12  |      |
| C   |       | REDRAWN                       | 01/29/13 |      |
| D   |       | ADDED THICKNESS DIM.          | 7/31/13  |      |



SECTION A-A



**SPECIFICATIONS:**

Material: Insulator: PA66, rated UL 94V-0  
 Insulator color: Black  
 Contacts: Copper Alloy  
 Plating: Tin over Copper underplate overall  
 Electrical: Current rating: C-ULus: 15A @ 250V  
 ENEC: 10A @ 250V  
 Insulation resistance: 100 Mohms min @ 500 VDC  
 Dielectric withstanding voltage: 3,000 VAC for 1 minute  
 Environmental: Lead free, RoHS compliant



|  |        |
|--|--------|
| UNLESS OTHERWISE SPECIFIED ALL DIMENSIONS ARE INCHES [MM] TOLERANCES EXCEPT AS NOTED |        |
| INCHES   | HOLDS  |
| .X ± .10   | ± .10  |
| .XX ± .020   | ± .015 |
| .XXX ± .015  | ± .010 |
| APPROVALS  | DATE   |
| SS   | 8/1/04 |
| CHECKED  |        |
| APPROVED   |        |

**ADAM TECH**  
 909 Rahway Avenue, Union, NJ 07083  
 Phone: 908-687-5000 Fax: 908-687-5710

TITLE: IEC C13 CONNECTOR, 250 QC  
 TERMINALS, UNIVERSAL SNAP

SIZE: X PART NO.: IEC-D-2  
 REF: S00087C SCALE: NTS SHEET 1 OF 1

6

5

4

3

2

1