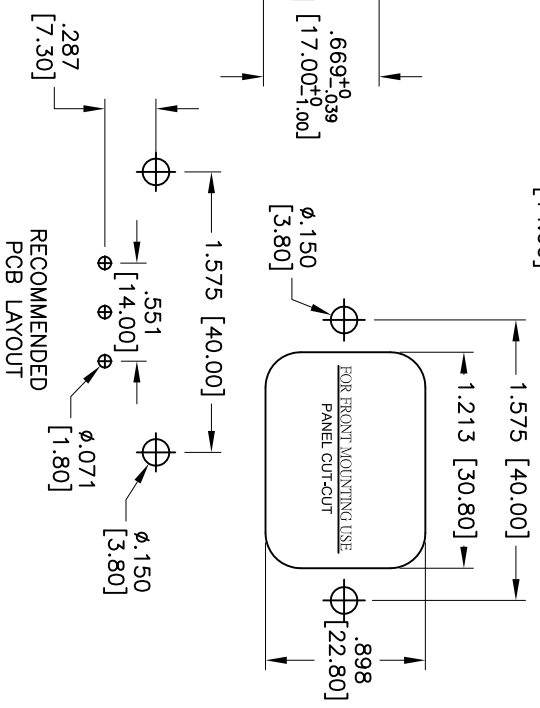
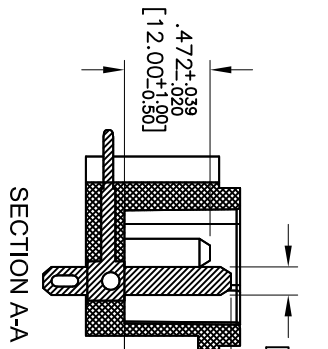
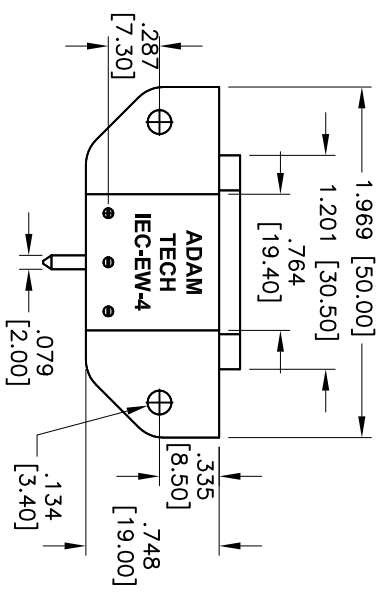
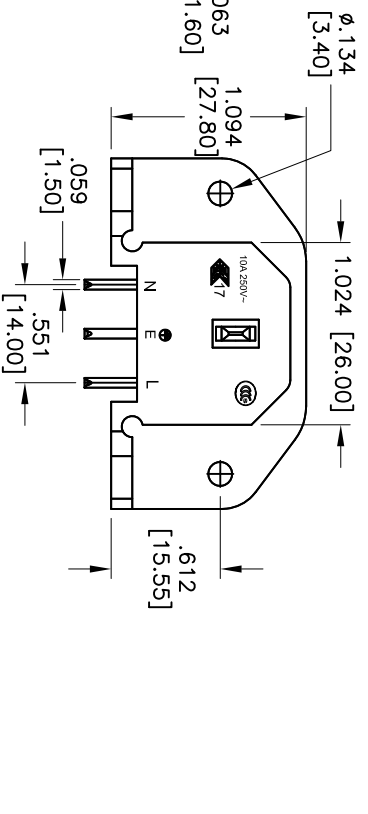
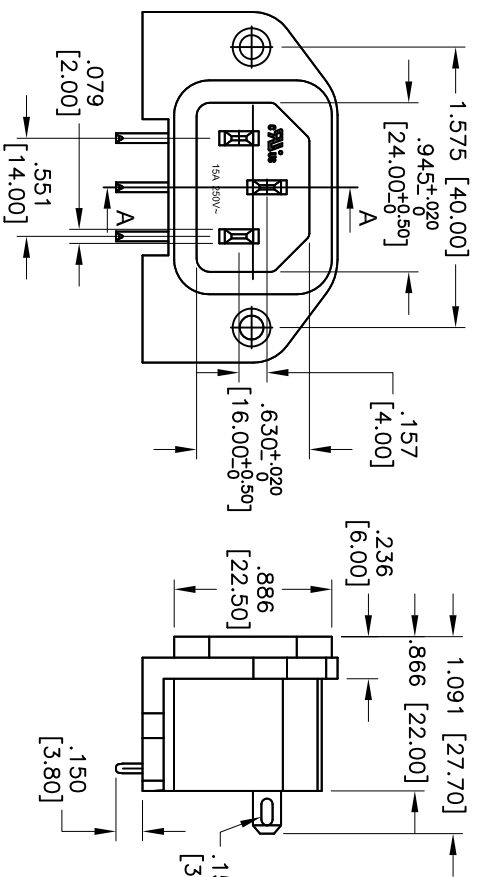


Rev	AWO #	Description	Date	Appr
-		RELEASED	10/6/11	
A		REDRAWN	2/25/13	
B		UPDATE SPEC.	4/9/15	AY

APPROVED: _____
 DATE: _____ TITLE: _____



SPECIFICATIONS:

Material:
 Insulator: PBT, rated UL 94V-0
 Insulator color: Black
 Contacts: Copper Alloy
 Plating:
 Tin over Copper underplate overall
Electrical:
 Rating: 15A 250V (C-ULus)
 10A 250V (ENEC & CCC)
 Insulation resistance: 100 Mohms min @ 500 VDC
 Dielectric withstanding voltage: 3,000 VAC for 1 minute
Environmental:
 Lead free, RoHS compliant

<p>UNLESS OTHERWISE SPECIFIED ALL DIMENSIONS ARE IN INCHES [MM] TOLERANCES: EXCEPT AS NOTED</p>		INCHES	± .10
		HOLES	± .015
<p>APPROVALS</p>		DATE	DATE
		DATE	DATE
DRAWN	AY	10/6/11	10/6/11
CHECKED	CC	10/6/11	
APPROVED			

ADAM TECH
 909 Railway Avenue, Union, NJ 07083
 Phone: 908-687-5000 Fax: 908-687-5710

ADAM TECH IEC MALE INLET, MOUNTING FLANGE RIGHT ANGLE, PCB TAILS

Part No: IEC-EW-4
 Scale: NTS
 Sheet 1 of 1

