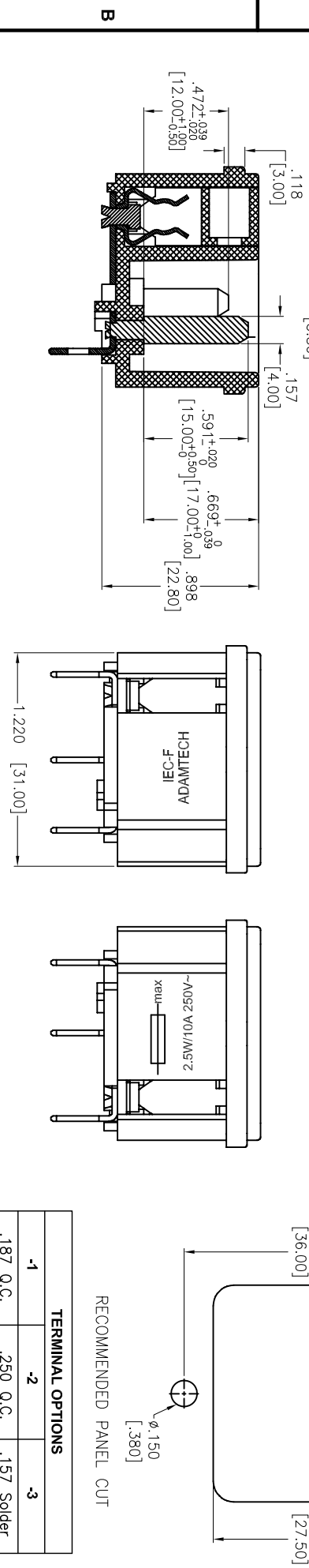
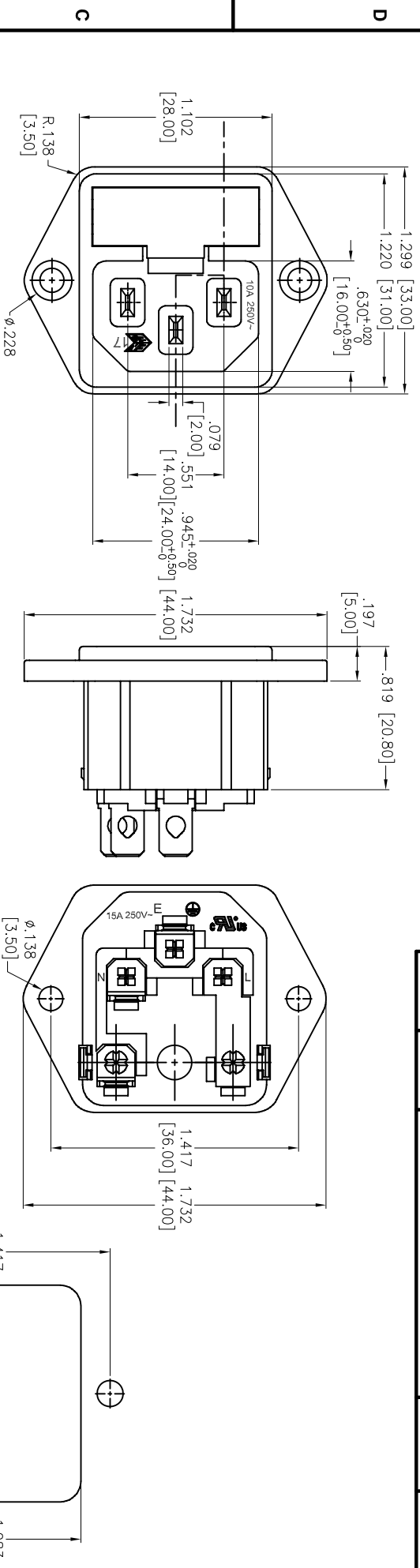


Rev	AWO #	Description	Date	Appr
-		RELEASED	6/17/05	
A		CHANGE TERMINAL	8/15/08	
B		REDRAWN	01/23/13	

APPROVED: _____
 DATE: _____ TITLE: _____



TERMINAL OPTIONS		
-1	.187 Q.C.	
-2	.250 Q.C.	
-3	.157 Solder	

RECOMMENDED PANEL CUT

SPECIFICATIONS:
 Material:
 Insulator: Nylon 66, rated UL 94V-0
 Insulator color: Black
 Contacts: Copper Alloy
 Plating:
 Tin over Copper underplate overall
 Electrical:
 Current rating: C-ULus: 15A @ 250V
 FNEC: 10A @ 250V
 Insulation resistance: 100 Mohms min
 Dielectric withstanding voltage: 3,000 VAC for 1 minute
 Environmental:
 Lead free, RoHS compliant

UNLESS OTHERWISE SPECIFIED
 ALL DIMENSIONS ARE INCHES [MM]
 TOLERANCES: EXCEPT AS NOTED
 INCHES Holes ±.10
 .XX ±.020
 .XXX ±.015
 .XXX ±.015
 DATE

DRAWN	SS	6/17/05
CHECKED		
APPROVED		

TITLE		ADAM TECH	
IEC MALE INLET, SCREW ON PANEL MOUNT		909 Rahway Avenue, Union, NJ 07083	
5 X 20mm FUSE HOLDER		Phone: 908-687-5000 Fax: 908-687-5710	
SIZE	PART NO.	SCALE	REV.
X	IEC-F-X	NIS	B
REF:	S00087T	SHEET	1 OF 1

