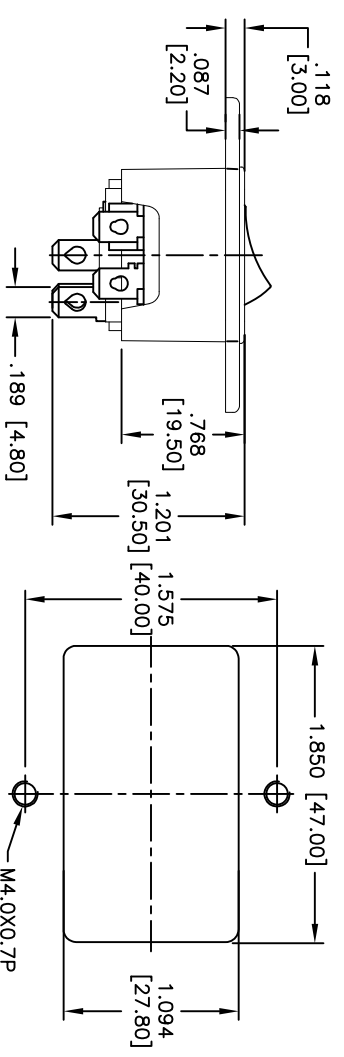
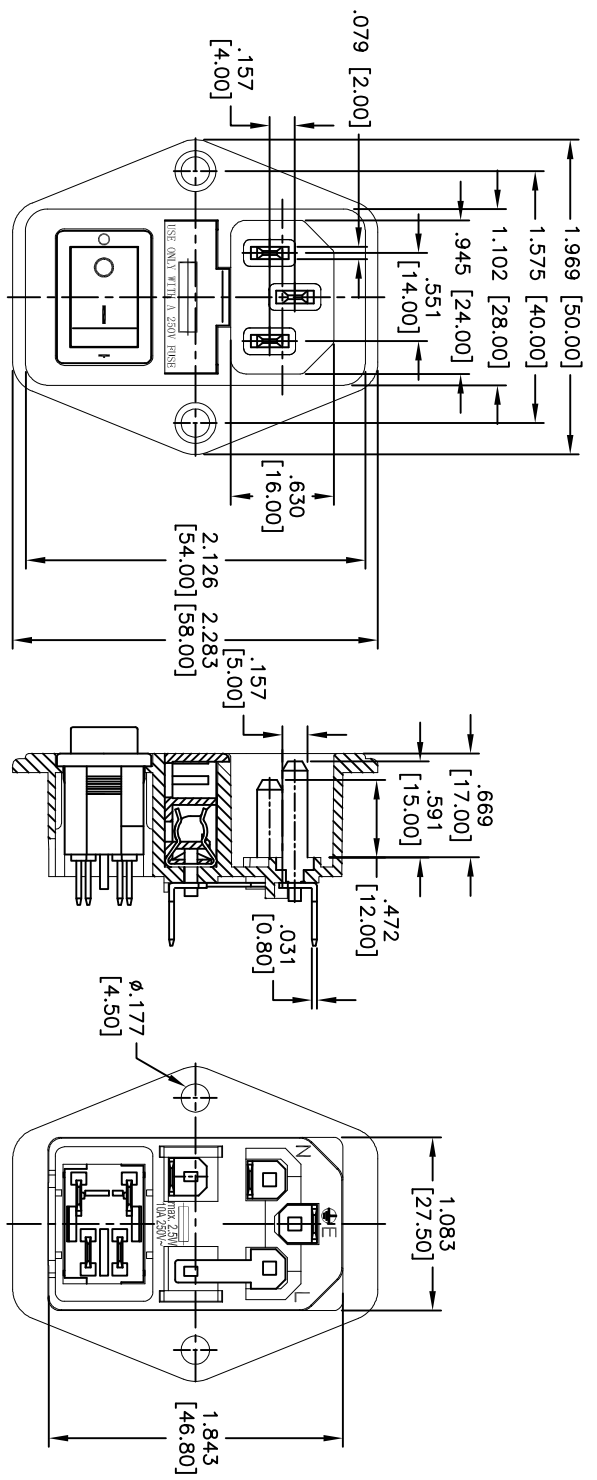


APPROVED: _____
 DATE: _____ TITLE: _____

Rev	AWO #	Description	Date	Appr
-		RELEASED	10/27/10	
A		ADDED DIM.	10/4/13	AY



RECOMMENDED PANEL CUT-OUT

SPECIFICATIONS:

Material: Insulator: Thermoplastic, glass reinforced, rated UL 94V-0
 Insulator color: Black
 Contacts: Brass
 Plating: Tin over Copper underplate overall
 Electrical: Operating voltage: 250 VAC
 Current rating: UL & CSA: 15 Amps max
 VDE: 10 Amps max
 Insulation resistance: 100 Mohms min @ 500 VDC
 Dielectric withstanding voltage: 2,000 VAC for 1 minute
 Temperature Rating: Operating temperature: -25°C to +70°C
 Environmental: Lead free, RoHS compliant

UNLESS OTHERWISE SPECIFIED ALL DIMENSIONS ARE IN INCHES [MM]	
TOLERANCES EXCEPT AS NOTED	
INCHES	
.X ± .10	ØX ± .10
.XX ± .020	ØXX ± .015
.XXX ± .015	ØXXX ± .010
APPROVALS	DATE
DRAWN AY	10/27/10
CHECKED AH	10/27/10
APPROVED	

ADAM TECH
 909 Rahway Avenue, Union, NJ 07083
 Phone: 908-687-5000 Fax: 908-687-5710

TITLE: IEC MALE, FUSED INLET WITH SWITCH
 SCREW ON PANEL MOUNT

SIZE: IEC-FS-1
 PART NO.: IEC-FS-1
 REF: S00060T SCALE: NTS SHEET 1 OF 1