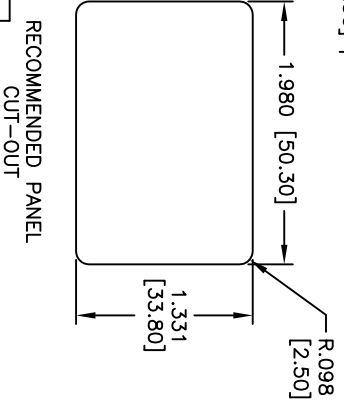
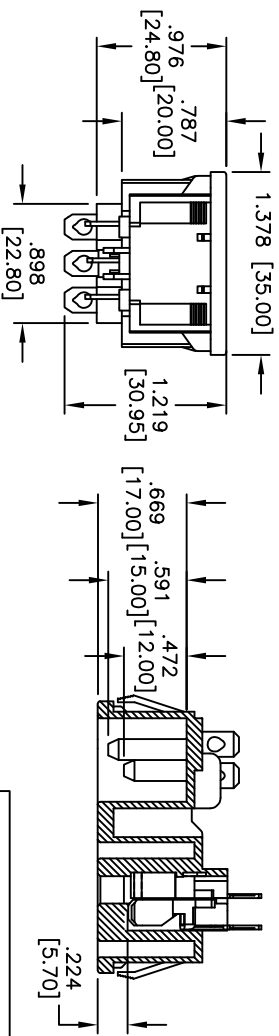
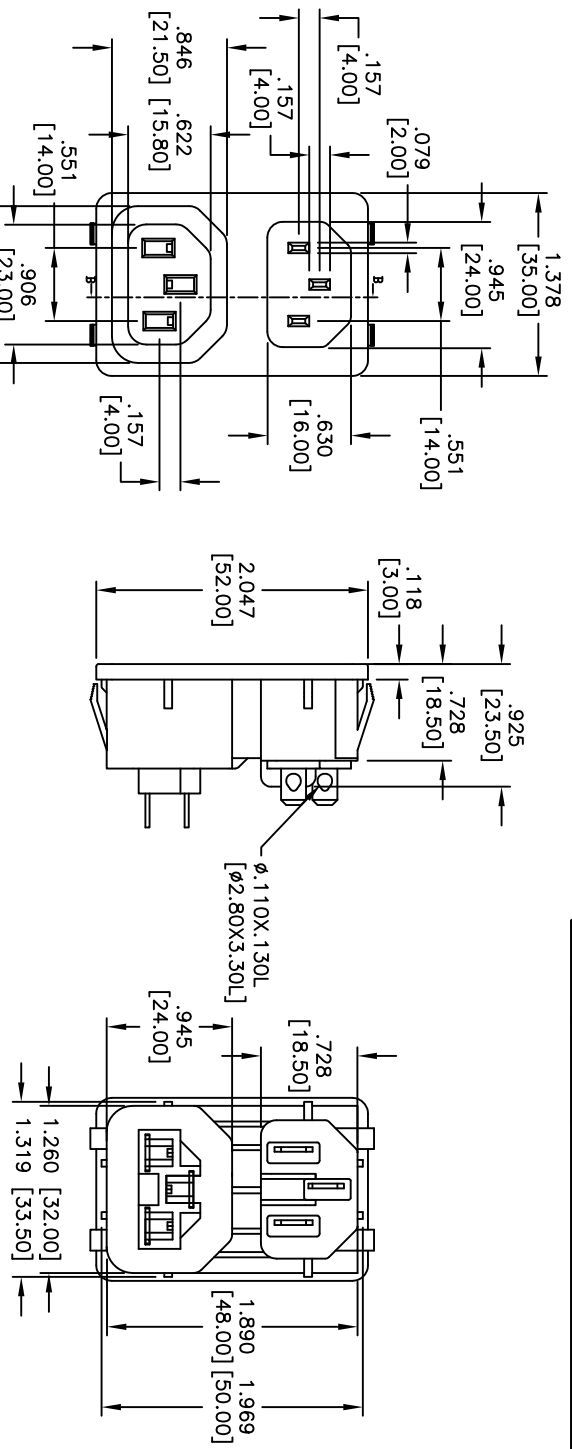


APPROVED: _____
 DATE: _____ TITLE: _____

Rev	AWO #	Description	Date	Appr
-		RELEASED	6/17/05	
A		REDRAWN	9/19/11	



TERMINAL OPTIONS		
-1	.187 Q.C.	
-2	.250 Q.C.	
-3	.157 Solder	

SPECIFICATIONS:
 Material: Insulator: Nylon 66, glass reinforced, rated UL 94V-0
 Insulator color: Black
 Contacts: Brass
 Soldering: Brass, Tin Plated
 Plating: Tin over Copper underplate overall
 Electrical:
 Operating voltage: 250 VAC
 Current rating: UL: 15 Amps max
 VDE: 10 Amps max
 Insulation resistance: 100 Mohms min @ 500 VDC
 Dielectric withstanding voltage: 2,000 VAC for 1 minute
 Temperature Rating:
 Operating temperature: -25°C to +70°C
 Environmental:
 Lead free, RoHS compliant
 Recommended soldering temp: 235°C for 5 seconds

UNLESS OTHERWISE SPECIFIED
 ALL DIMENSIONS ARE IN INCHES [MM]
 TOLERANCES: EXCEPT AS NOTED
 INCHES
 .X ± .10 ØX ± .10
 .XX ± .020 ØXX ± .015
 .XXX ± .015 ØXXX ± .010
 APPROVALS
 DRAWN SS 6/17/05
 CHECKED
 APPROVED

ADAM TECH
 909 Rahway Avenue, Union, NJ 07083
 Phone: 908-687-5000 Fax: 908-687-5710
 TITLE: IEC MALE INLET / OUTLET
 SNAP-IN PANEL MOUNT
 SIZE PART NO. IEC-HS-X
 REF: S00037T SCALE: NTS SHEET 1 OF 1