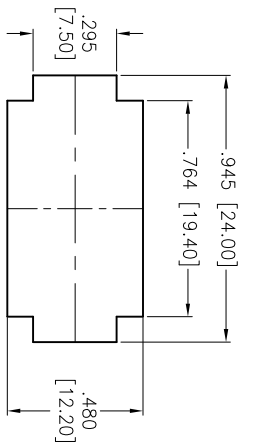
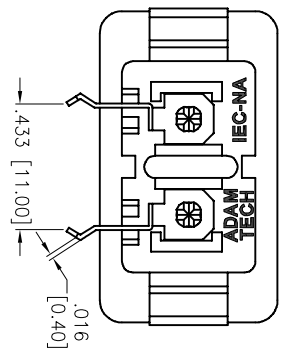
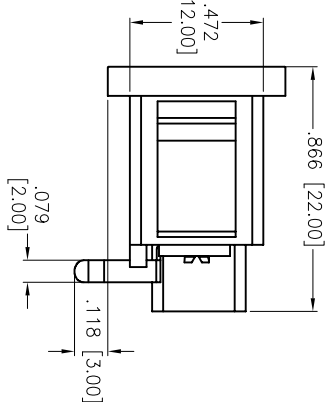
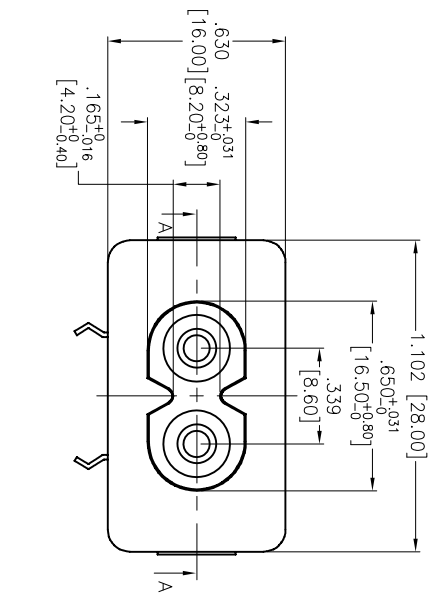
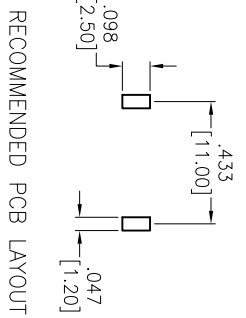
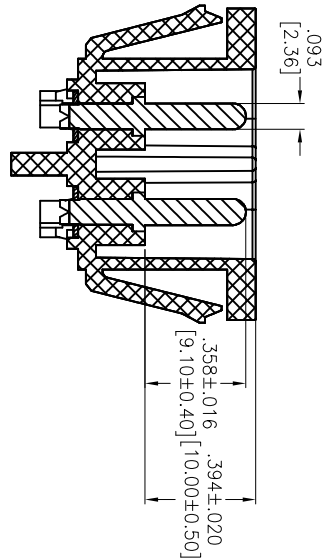
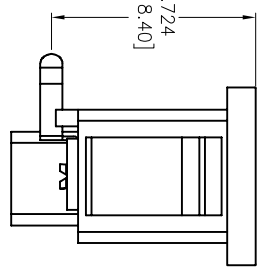
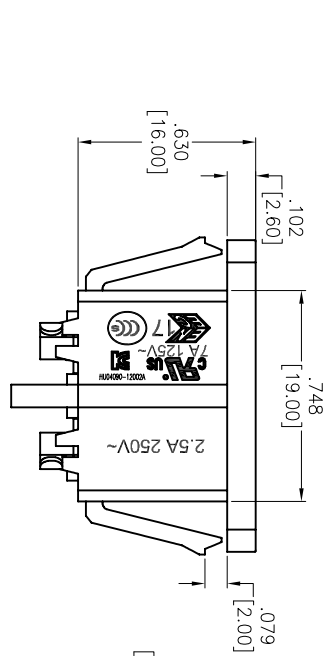


APPROVED: _____
 DATE: _____ TITLE: _____

Rev	AWO #	Description	Date	Appr
-	7150	RELEASED	11/02/06	
A		REDRAWN	7/29/14	AYILL



RECOMMENDED PANEL CUT-OUT



RECOMMENDED PCB LAYOUT

SPECIFICATIONS:

Material: Nylon 66, rated UL 94V-0
 Insulator color: Black
 Terminal: Copper Alloy, Tin Plated
 Pin: Copper Alloy, Nickel Plated
 Electrical:
 Current rating: 2.5 A 250 V~(C-ULus, ENEC & CCC & KC)
 7A 125V~(C-ULus)
 Insulation resistance: 100 Mohms min @ 500 VDC
 Dielectric withstanding voltage: 3,000 VAC for 1 minute
 Environmental:
 Lead free, RoHS compliant



UNLESS OTHERWISE SPECIFIED ALL DIMENSIONS ARE INCHES [MM]	
TOLERANCES: EXCEPT AS NOTED	
INCHES	MM
.X ± .10	ØXX ± .10
.XX ± .020	ØXXX ± .015
.XXX ± .015	ØXXXX ± .010
APPROVALS	DATE
DRAWN	BW
CHECKED	
APPROVED	

TITLE		ADAM TECH	
909 Railway Avenue, Union, NJ 07083		909 Railway Avenue, Union, NJ 07083	
Phone: 908-687-5000 Fax: 908-687-5710		Phone: 908-687-5000 Fax: 908-687-5710	
IEC 60320, C8, RIGHT ANGLE, PC MOUNT, SNAP-IN		IEC-NA-4	
SIZE	PART NO.	SCALE:	REV.
X		NIS	A
REF:	S00087C	SHEET	1 OF 1