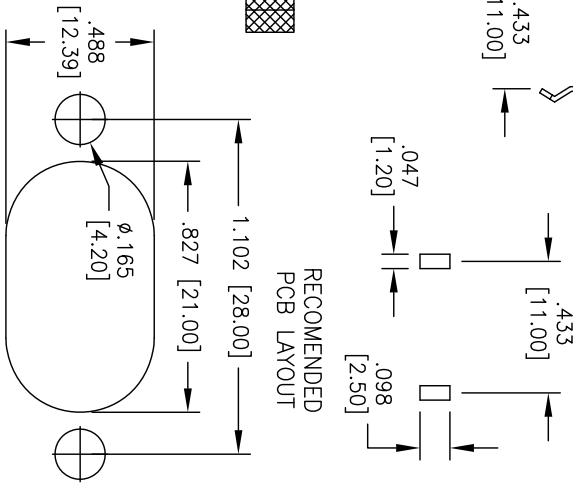
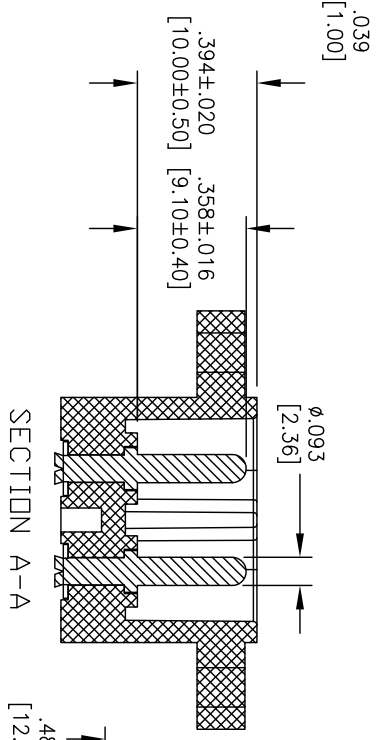
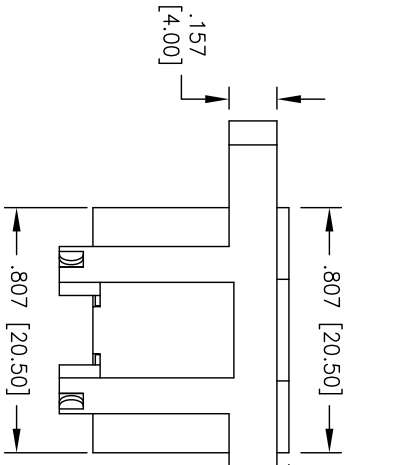
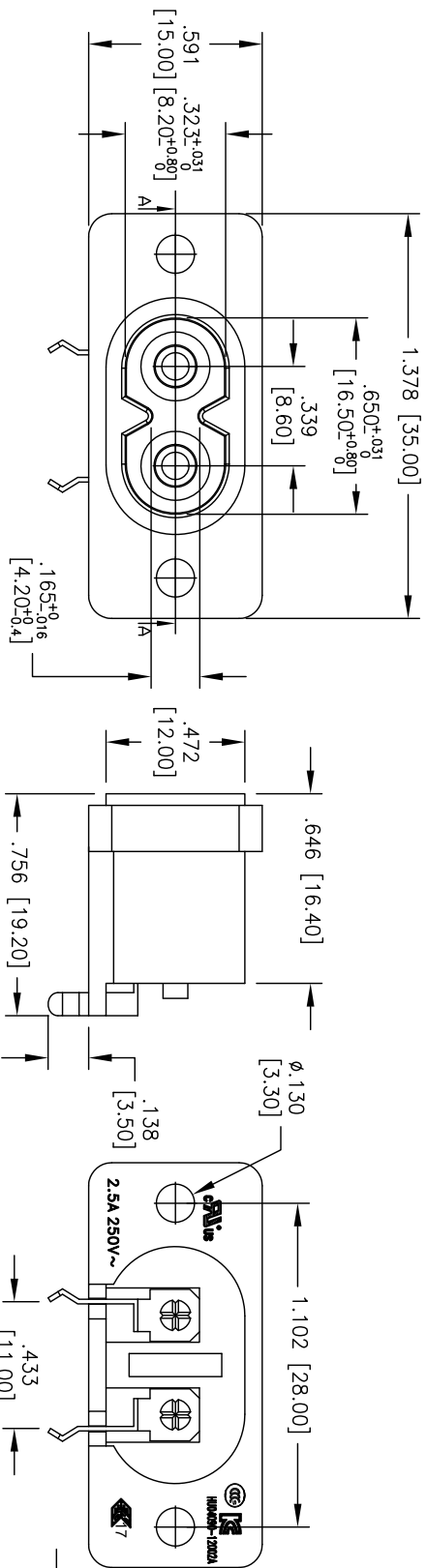


Rev	AWO #	Description	Date	Appr
-		RELEASED	XXXXXXXX	
A		REDRAWN	12/5/12	
B		UPDATE DIM.	10/20/14	AY/GC

APPROVED: \_\_\_\_\_  
 DATE: \_\_\_\_\_ TITLE: \_\_\_\_\_



RECOMMENDED PANEL CUT-OUT

**SPECIFICATIONS:**

Material:  
 Insulator: PBT, rated UL 94V-0  
 Insulator color: Black  
 Contacts: Copper Alloy, Tin Plated  
 Center Pin: Copper Alloy, Nickel Plated  
 Electrical:  
 Operation voltage: 250 VAC max  
 Current rating: 2.5 Amps max  
 Insulation resistance: 100 Mohms min @ 500 VDC  
 Dielectric withstanding voltage: 3000 VAC for 1 minute  
 Environmental:  
 Lead free, RoHS compliant.



UNLESS OTHERWISE SPECIFIED ALL DIMENSIONS ARE MM [INCHES] TOLERANCES: EXCEPT AS NOTED	
INCHES	HOLDS
.X ± .10	ØX ± .10
.XX ± .020	ØXX ± .015
.XXX ± .015	ØXXX ± .010
APPROVALS	DATE
DRAWN	SS
CHECKED	
APPROVED	

**ADAM TECH**  
 909 Rahway Avenue, Union, NJ 07083  
 Phone: 908-687-5000 Fax: 908-687-5710

TITLE: IEC 60320, C8, RIGHT ANGLE, PCB TERMINAL, PANEL MOUNT

SIZE: X PART NO.: IEC-NC-4 REV. B

REF: S00087C SCALE: NTS SHEET 1 OF 1