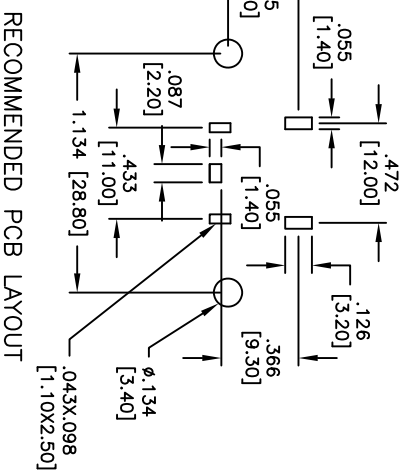
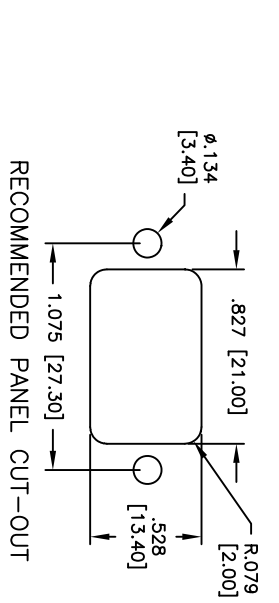
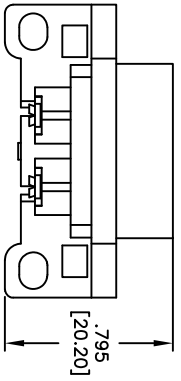
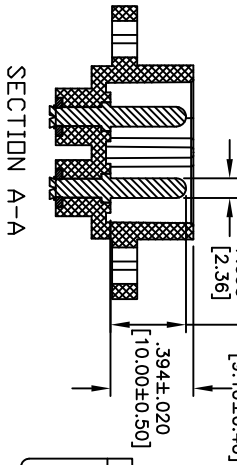
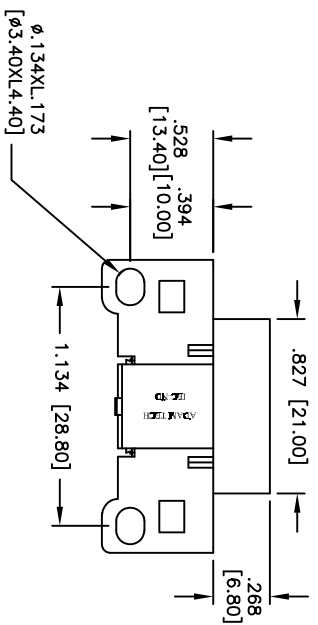
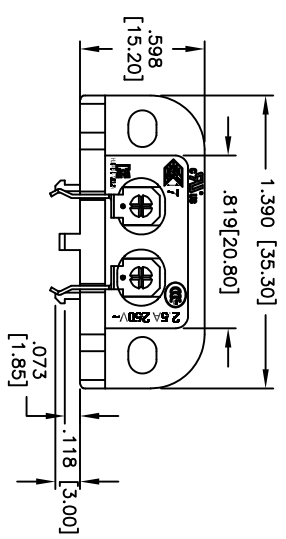
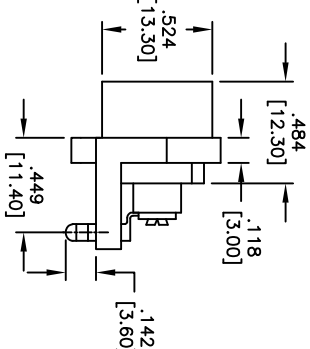
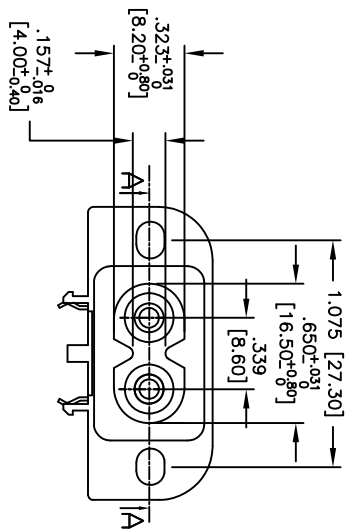


Rev	AWO #	Description	Date	Appr
-		RELEASED	5/04/04	
A		REDRAWN	3/03/10	
B		REDRAWN	1/4/13	

APPROVED: _____
 DATE: _____ TITLE: _____



SPECIFICATIONS:

- Material: Insulator: Nylon 66, rated UL 94V-0
- Insulator color: Black
- Contacts: Copper Alloy, Tin Plated
- Center Pin: Copper Alloy, Nickel Plated
- Electrical: Rating: 2.5A @ 250V (C-ULus & ENEC & CCC & KC)
- Insulation resistance: 100 Mohms min @ 500 VDC
- Dielectric withstanding voltage: 3000 VAC for 1 minute
- Environmental: Lead free, RoHS compliant.



UNLESS OTHERWISE SPECIFIED ALL DIMENSIONS ARE MM [INCHES] TOLERANCES: EXCEPT AS NOTED	
X	±.10
.XX	±.020
.XXX	±.015
ØXX	±.015
ØXXX	±.010
APPROVALS	DATE
DRAWN	SS
CHECKED	
APPROVED	

ADAM TECH
 909 Rahway Avenue, Union, NJ 07083
 Phone: 908-687-5000 Fax: 908-687-5710

TITLE: IEC 60320, C8, RIGHT ANGLE, PCB TERMINAL, PANEL MOUNT

SIZE: X PART NO.: IEC-ND-4

REF: S00097C SCALE: NTS SHEET 1 OF 1