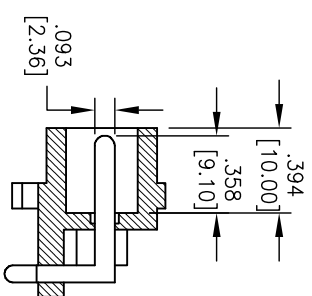
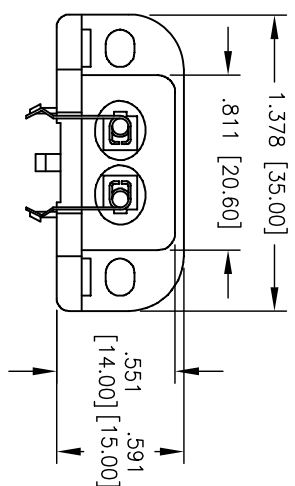
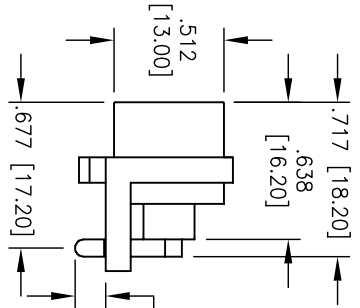
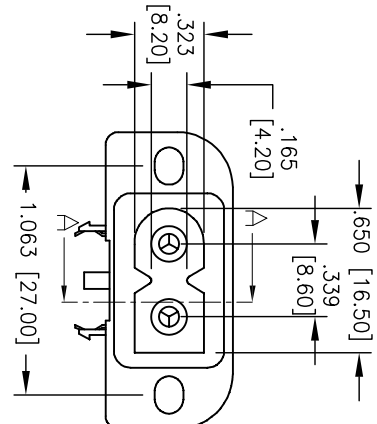
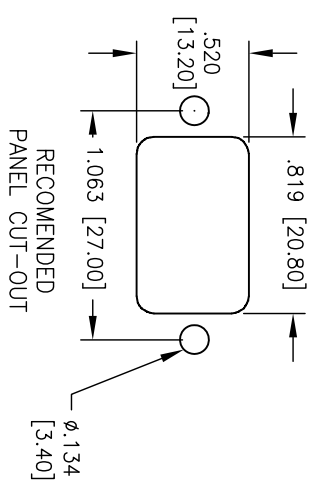
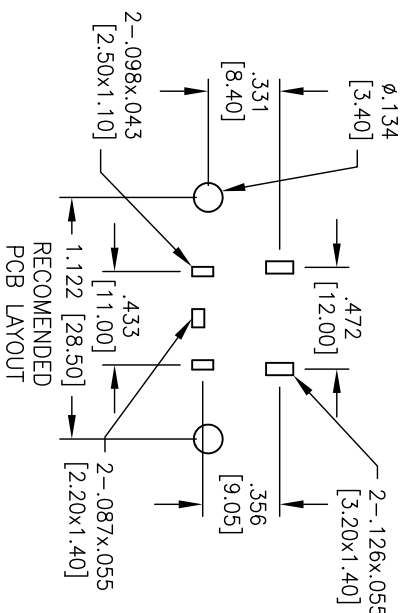
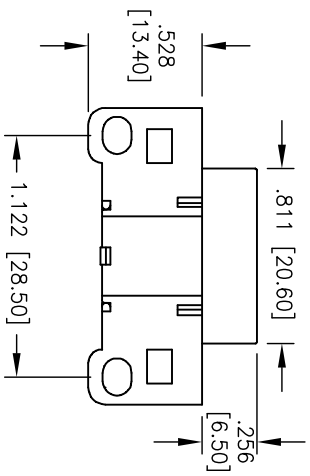


APPROVED: _____
 DATE: _____ TITLE: _____

Rev	AWO #	Description	Date	Appr
-		RELEASED	XXXXXXXX	
A		REVISED SPEC. & DIM.	4/26/12	



SECTION A-A



SPECIFICATIONS:

Material:
 Insulator: Nylon 66, rated UL 94V-0
 Insulator color: Black
 Contacts: Brass, Tin Plated
 Soldering: Brass, Tin Plated
Electrical:
 Voltage rating: 250 VAC max
 Current rating: 2.5 Amps
Environmental:
 Lead free, RoHS compliant.



UNLESS OTHERWISE SPECIFIED
 ALL DIMENSIONS ARE MM [INCHES]
 TOLERANCES: EXCEPT AS NOTED

INCHES	HOLES
.X ± .10	ØX ± .10
.XX ± .020	ØXX ± .015
.XXX ± .015	ØXXX ± .010

APPROVALS: _____ DATE: _____

ADAM TECH
 909 Rahway Avenue, Union, NJ 07083
 Phone: 908-687-5000 Fax: 908-687-5710

TITLE: IEC 60320, C8 POLARIZED, R/A, PCB TERMINAL, PANEL MOUNT

SIZE: X PART NO.: IEC-NF-4

SCALE: NTS SHEET 1 OF 1

DRAWN	SS	5/4/04	SIZE	PART NO.	IEC-NF-4	REV.
CHECKED			X			A
APPROVED				S00037T		