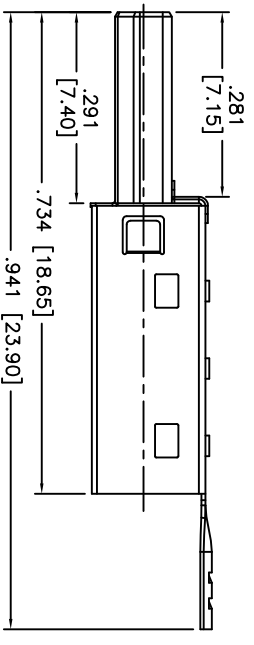
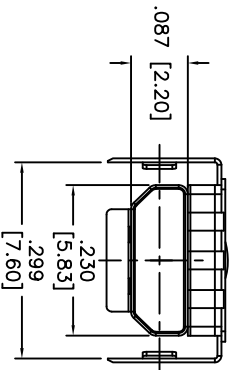
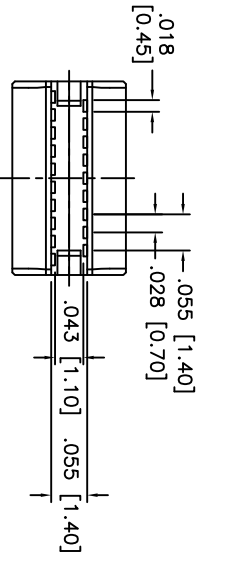
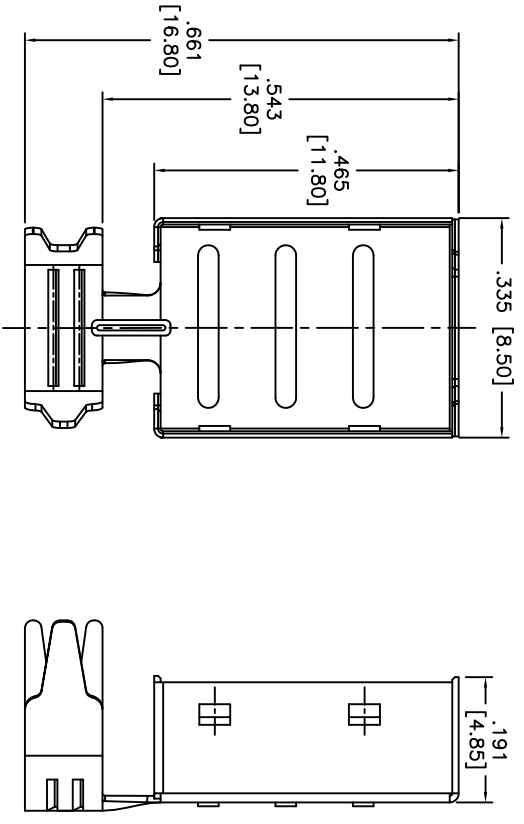
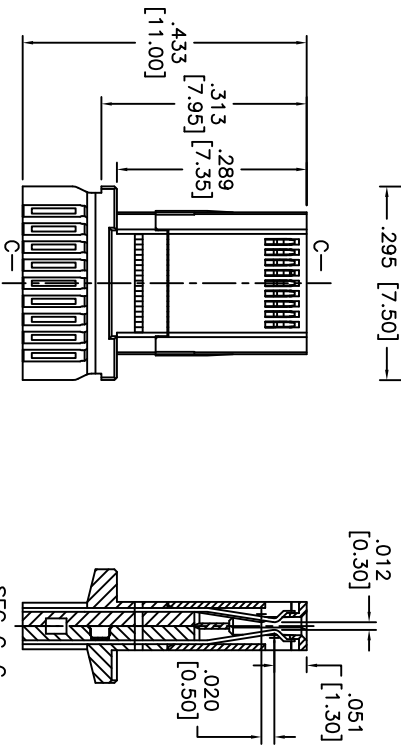
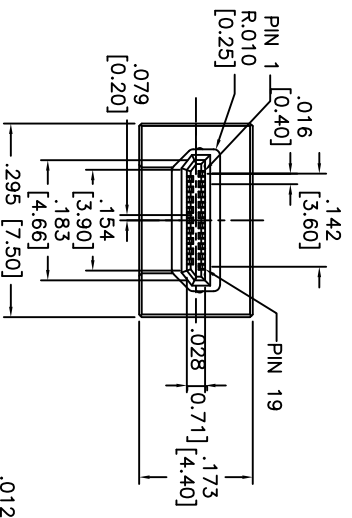


Rev	AWO #	Description	Date	Appr
-		RELEASED	3/10/10	

APPROVED: \_\_\_\_\_  
 DATE: \_\_\_\_\_ TITLE: \_\_\_\_\_



**SPECIFICATIONS:**

**Material:**  
 Insulator: LCP, UL 94V-0  
 Insulator color: Black  
 Contact: Copper Alloy  
 Shell: Copper Alloy  
**Plating:**  
 Gold flash over Nickel underplate on contact area,  
 Tin over Copper underplate on tails.  
**Environmental:**  
 Lead free, RoHS Compliant

UNLESS OTHERWISE SPECIFIED  
 ALL DIMENSIONS ARE INCHES [MM]  
 TOLERANCES: EXCEPT AS NOTED

INCHES	HOLES
.X ± .10	ØX ± .10
.XX ± .020	ØXX ± .015
.XXX ± .015	ØXXX ± .010

APPROVALS: \_\_\_\_\_ DATE: \_\_\_\_\_

DRAWN: DY 3/10/10  
 CHECKED: \_\_\_\_\_  
 APPROVED: \_\_\_\_\_

**ADAM TECH**  
 909 Rahway Avenue, Union, NJ 07083  
 Phone: 908-687-5000 Fax: 908-687-5710

TITLE: HDM D TYPE PLUG, SOLDER TYPE  
 OVER MOLDING TYPE

SIZE: X PART NO.: MCHDMI-PLUG-0M1  
 REF: S00100T SCALE: NTS SHEET 1 OF 1

