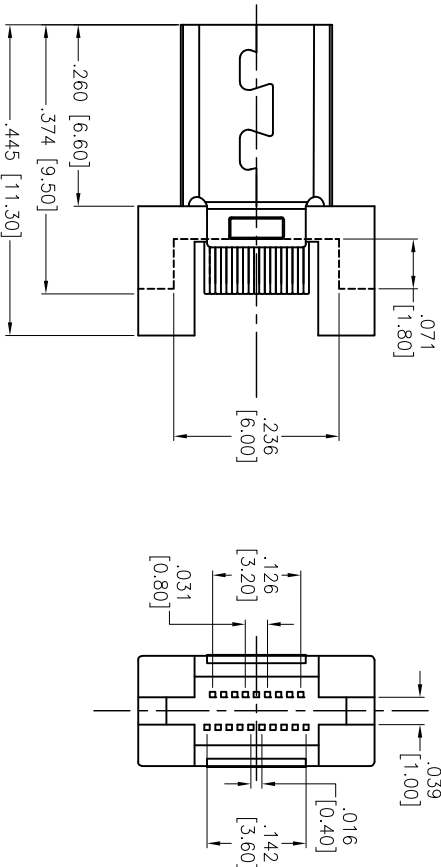
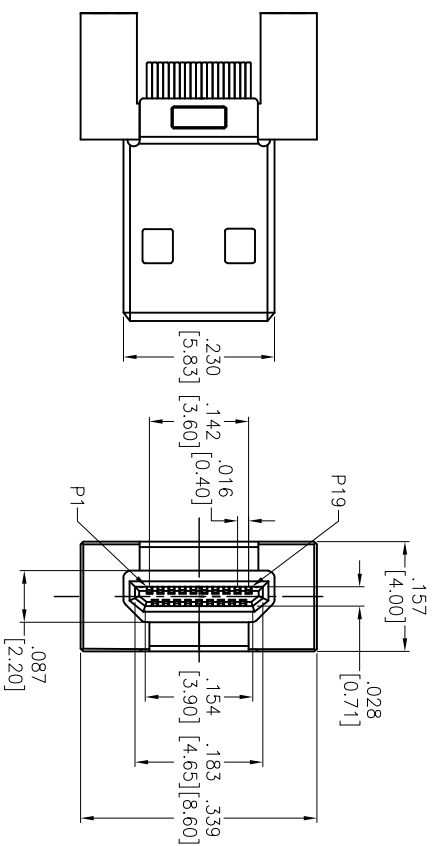


Rev	AWO #	Description	Date	Appr
-		RELEASED	3/28/14	

APPROVED: _____
 DATE: _____ TITLE: _____



SPECIFICATIONS:

Material: Insulator color: Black
 Insulator: HI-temp thermoplastic, rated UL 94V-0
 Contact: Copper Alloy
 Plating: 15u" Gold over Nickel underplate on contact area
 Electrical: Contact resistance: 30 mohms max
 Insulation resistance: 100 Mohms min
 Dielectric withstanding voltage: 500 VAC for 1 minute
 Temperature Rating: Operating temperature: -20°C to +85°C
 Environmental: Lead free, RoHS Compliant



UNLESS OTHERWISE SPECIFIED ALL DIMENSIONS ARE INCHES [MM]	
TOLERANCES: EXCEPT AS NOTED	
INCHES	HOLDS
.X ± .10	± .10
.XX ± .020	± .015
.XXX ± .015	± .010
APPROVALS	
DATE	DATE
DRAWN AY	3/28/14
CHECKED SL	3/28/14
APPROVED	

ADAM TECH
 909 Rahway Avenue, Union, NJ 07083
 Phone: 908-687-5000 Fax: 908-687-5710

TITLE: MICRO DMI D TYPE PLUG, STRADDLE MOUNT
 15u" GOLD PLATED

SIZE	PART NO.	SCALE	SHEET	REV.
X	MCHDMI-PLUG-SM	NTS	1 OF 1	-
REF:	S00097C			