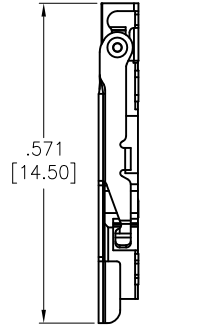
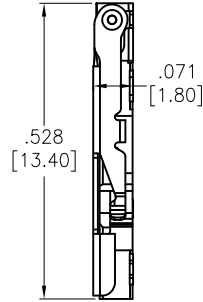
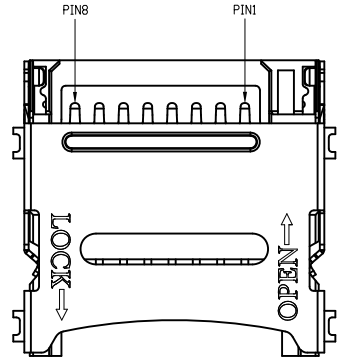


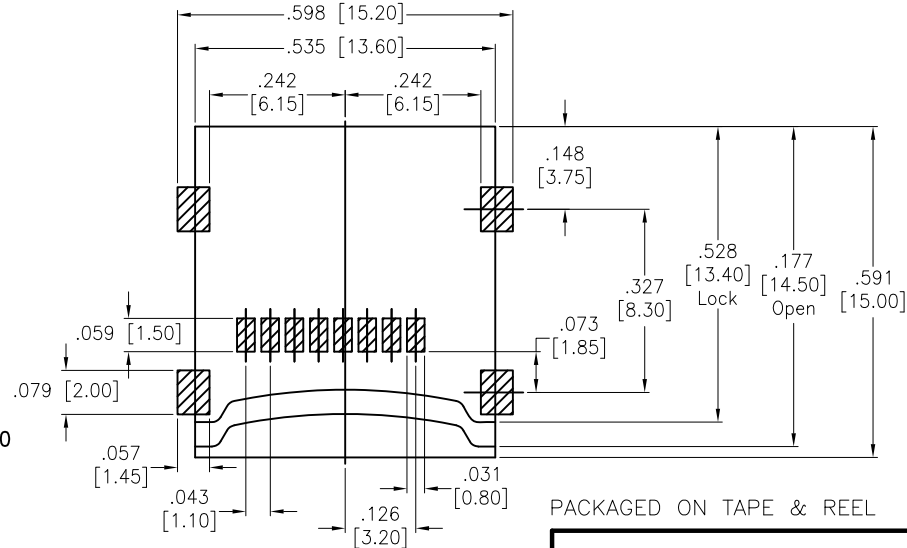
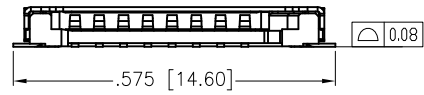
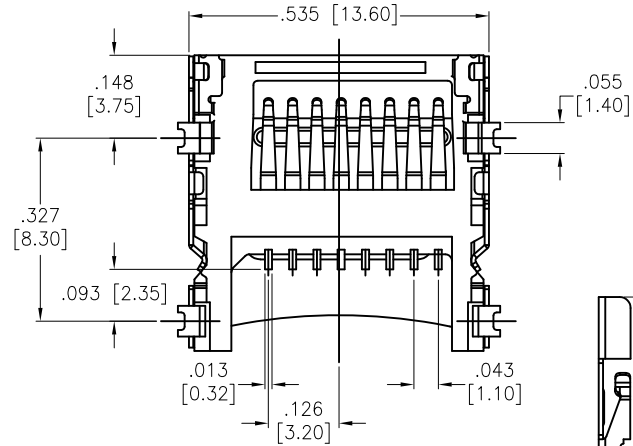
APPROVED: _____
 DATE: _____ TITLE: _____

Rev	AWO #	Description	Date	Appr
-		RELEASED	2/7/15	
A		UPDATED DRAWING	4/15/16	HR/OC



SLIDE SHELL OPEN

SLIDE SHELL LOCK



RECOMMENDED PCB LAYOUT

▨ PCB AREA □ CONNECT AREA

PIN NUMBER	PIN NAME
PIN 1	DAT2
PIN 2	CD/DAT3
PIN 3	CMD
PIN 4	VDD
PIN 5	CLK
PIN 6	VSS
PIN 7	DAT0
PIN 8	DAT1 ²

SPECIFICATIONS:

Material:
 Insulator: Hi-Temp Thermoplastic, rated UL 94V-0
 Insulator color: Black
 Terminal: Copper alloy
 Shell: Stainless Steel, Nickel plated overall,
 Gold plated on solder tails

Plating:
 Gold flash over Nickel underplate on contact area,
 Tin over Nickel underplate on solder tails

Electrical:
 Current rating: 0.5 Amp max.
 Contact resistance: 100 mohms max.
 Insulation resistance: 100 Mohms min @ 250 VDC
 Dielectric withstanding voltage: 500 VAC for 1 minute
Temperature Rating:
 Operating temperature: -25°C to +85°C
Environmental:
 Lead free, RoHS compliant.



PACKAGED ON TAPE & REEL

UNLESS OTHERWISE SPECIFIED
 ALL DIMENSIONS ARE INCHES [MM]
 TOLERANCES: EXCEPT AS NOTED
 INCHES HOLES

.X ± .10	∅X ± .10
.XX ± .020	∅XX ± .015
.XXX ± .015	∅XXX ± .010

APPROVALS		DATE
DRAWN	AY	2/7/15
CHECKED	MW	2/7/15
APPROVED		

ADAM TECH

909 Rahway Avenue, Union, NJ 07083
 Phone: 908-687-5000 Fax: 908-687-5710

TITLE		
MICRO SD SOCKET, HINGE COVER		
SIZE	PART NO.	REV.
X	MCSP-G-08-A-SG-HC-T/R	A
REF: S00041C	SCALE: NTS	SHEET 1 OF 1