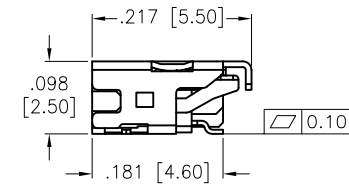
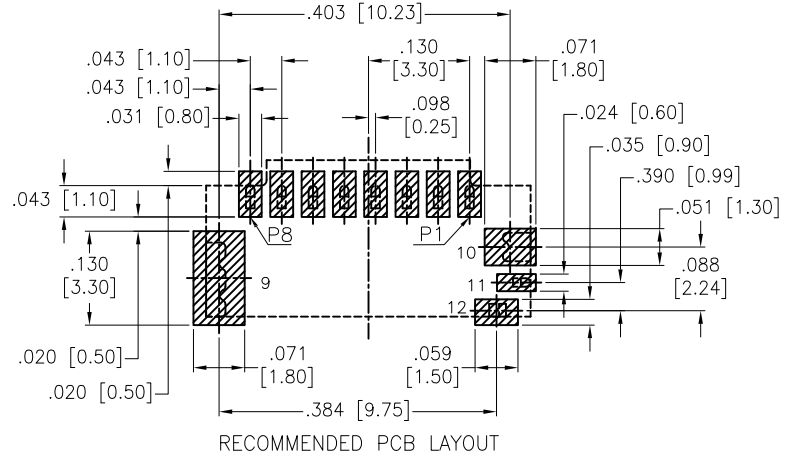
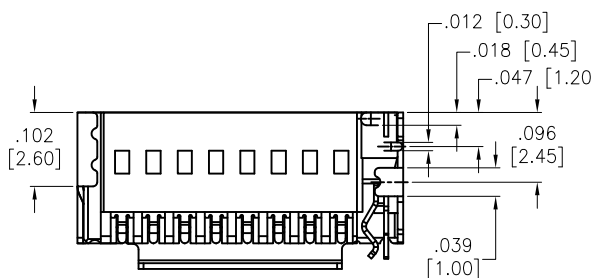
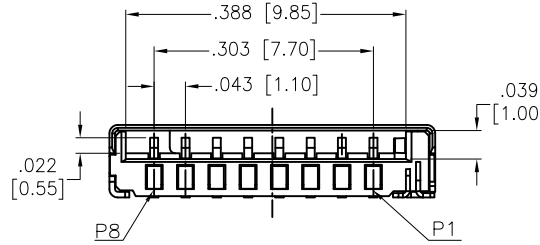
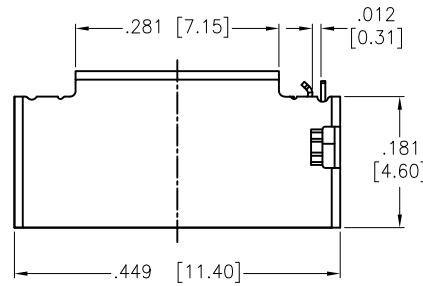
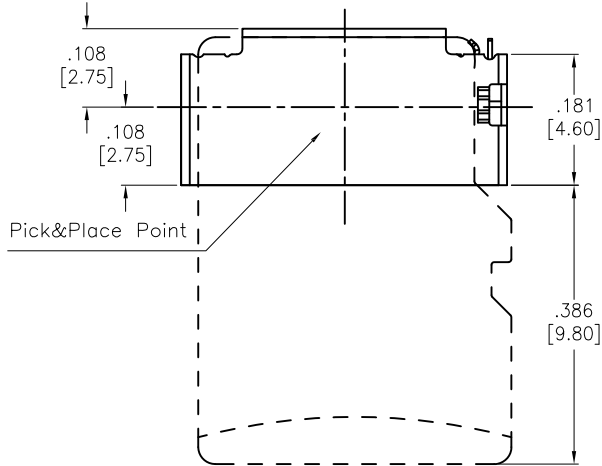


APPROVED: _____
 DATE: _____ TITLE: _____

Rev	AWO #	Description	Date	Appr
-		RELEASED	4/22/16	



Pin No.	NAME
1	DAT2
2	CD/DAT3
3	CMD
4	VDD
5	CLK
6	VSS
7	DAT 0
8	DAT 1
9	GND
10	GND
11	POL
12	DET

SPECIFICATIONS:

Material:
 Insulator: Hi-Temp Thermoplastic, rated UL 94V-0
 Insulator color: Black
 Contacts: Copper Alloy
 Shell: Stainless Steel, Tin plated
 Plating:
 Gold flash over Nickel underplate overall
 Electrical:
 Current rating: 0.5 A max
 Contact resistance: 80 mohms max
 Switch resistance: 100 mohms max
 Insulation resistance: 1,000 Mohms min @ 250 VDC
 Dielectric withstanding voltage: 500 VAC RMS for 1 minute
 Temperature Rating:
 Operating temperature: -25°C to +85°C
 Environmental:
 Lead free, RoHS compliant.



PACKAGED ON TAPE & REEL

UNLESS OTHERWISE SPECIFIED ALL DIMENSIONS ARE INCHES [MM] TOLERANCES: EXCEPT AS NOTED		
INCHES		HOLES
.X ± .10	Ø.X ± .10	
.XX ± .020	Ø.XX ± .015	
.XXX ± .015	Ø.XXX ± .010	
APPROVALS		DATE
DRAWN	AY	4/22/16
CHECKED	TW	4/22/16
APPROVED		

ADAM TECH
 909 Rahway Avenue, Union, NJ 07083
 Phone: 908-687-5000 Fax: 908-687-5710

TITLE: T-FLASH SOCKET, SMT TYPE

SIZE X	PART NO. MCSP-Y-08-A-G-T/R	REV. -
REF: S00195T	SCALE: NTS	SHEET 1 OF 1