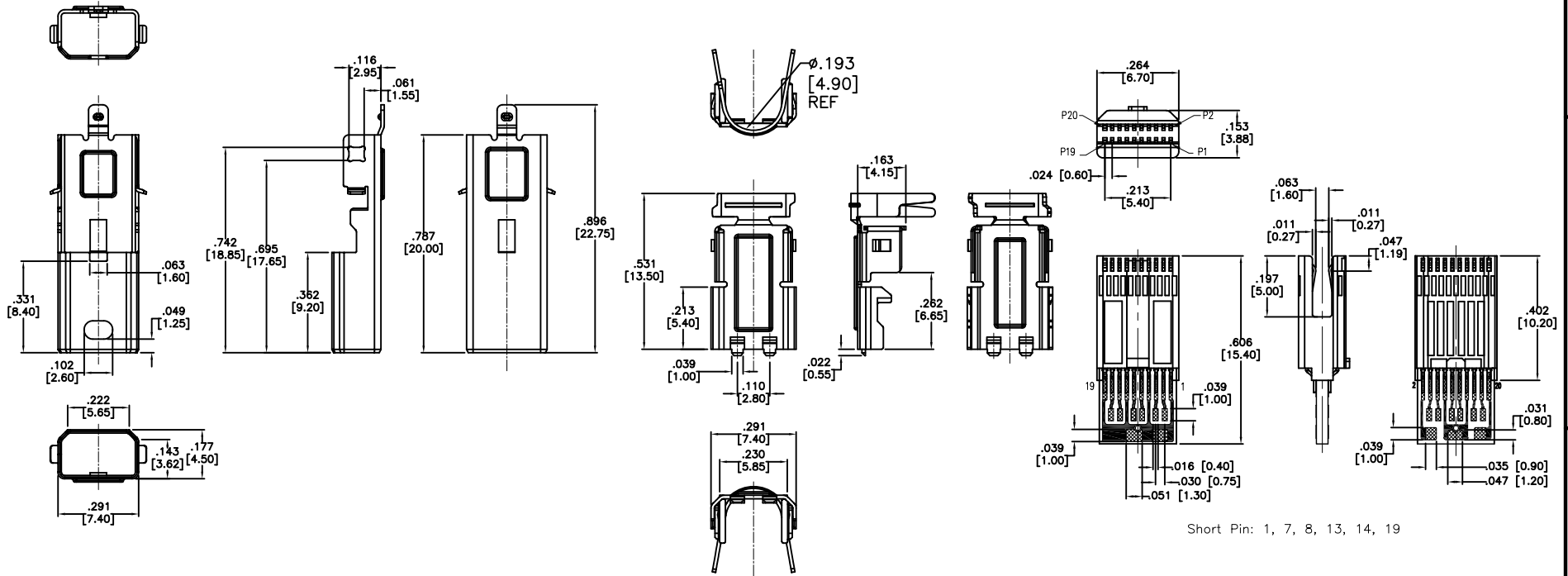


APPROVED: \_\_\_\_\_  
 DATE: \_\_\_\_\_ TITLE: \_\_\_\_\_

Rev	AWO #	Description	Date	Appr
-		RELEASED	7/23/09	
A		REDRAWN	12/20/11	
B		ADDED DIM.	3/10/16	AY/NC
C		UPDATED DIM.	3/17/16	HR/MY



Short Pin: 1, 7, 8, 13, 14, 19

**SPECIFICATIONS:**

Material:  
 Housing: Hi-temp thermoplastic, rated UL 94V-0,  
 Insulator color: White  
 Contact: Copper Alloy  
 Shell: SPCC, nickel plated  
 Plating:  
 15u" Gold over Nickel underplate overall  
 Electrical:  
 Operating voltage: 40 VAC  
 Current rating: 0.5 Amps min  
 Withstanding Voltage: 500V AC for 1 minute  
 Insulation Resistance: 100M ohms min.  
 Contact Resistance: 30 ohms max.  
 Temperature Rating:  
 Operating temperature: -25°C to +85°C  
 Environmental:  
 Lead free, RoHS compliant.



UNLESS OTHERWISE SPECIFIED ALL DIMENSIONS ARE INCHES [MM] TOLERANCES: EXCEPT AS NOTED		<b>ADAM TECH</b> 909 Rahway Avenue, Union, NJ 07083 Phone: 908-687-5000 Fax: 908-687-5710	
INCHES HOLES			
.X ± .10	∅X ± .10	TITLE MINI DISPLAY PORT PLUG, 20PIN, GOLD PLATED	
.XX ± .020	∅XX ± .015		
.XXX ± .015	∅XXX ± .010		
APPROVALS		DATE	
DRAWN	DY	7/23/09	
CHECKED			
APPROVED			
SIZE	PART NO.	REV.	
X	MDPC-PLUG	C	
REF:	S00015C	SCALE:	NTS
		SHEET 1 OF 1	