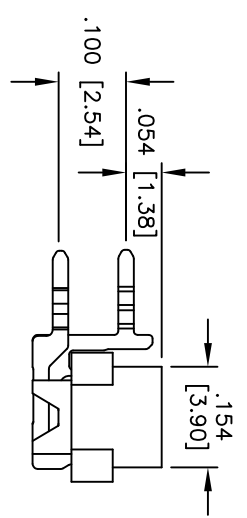
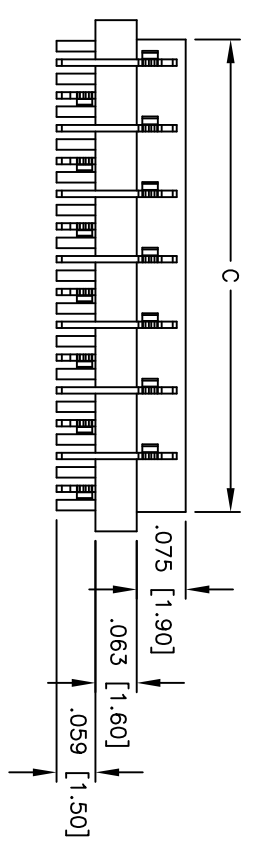
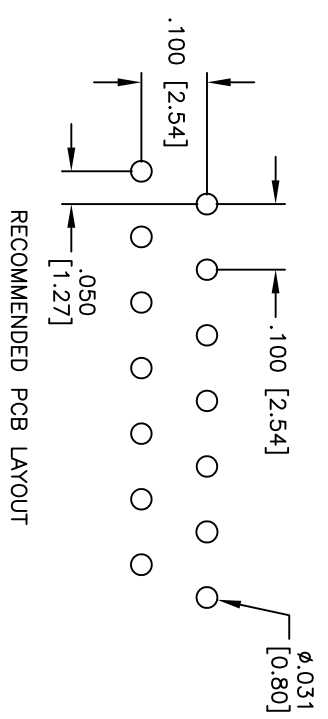
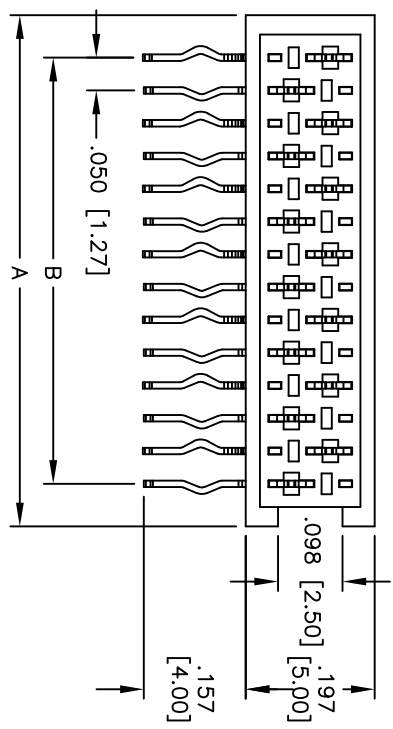


Rev	AWO #	Description	Date	Appr
-		RELEASED	10/27/09	

APPROVED: _____
 DATE: _____ TITLE: _____



SPECIFICATIONS:

Material: Hi-temp thermoplastic, rated UL 94V-0
 Insulator color: Red
 Contacts: Phosphor Bronze
 Plating: Tin over Copper underplate overall
 Electrical:
 Current rating: 1A AC/DC
 Voltage rating: 30V AC/DC
 Contact resistance: 20 mohms max.
 Insulation resistance: 1,000 Mohms min.
 Dielectric withstanding: 500V AC for 1 minute
 Temperature Rating:
 Operating temperature: -40°C to +105°C
 Environmental:
 Lead free, RoHS compliant

Positions: 4 thru 26
 A = .050 [1.27] x No. of Positions + .076 [1.92]
 B = .050 [1.27] x No. of Spoces
 C = .050 [1.27] x No. of Positions + .020 [0.52]

UNLESS OTHERWISE SPECIFIED
 ALL DIMENSIONS ARE INCHES [MM]
 TOLERANCES: EXCEPT AS NOTED
 INCHES HOLE SIZES

.X	± .10	ØXX	± .10
.XX	± .020	ØXXX	± .015
.XXX	± .015	ØXXXX	± .010

APPROVALS

DRAWN	DY	10/27/09
CHECKED		
APPROVED		

ADAM TECH

909 Railway Avenue, Union, NJ 07083
 Phone: 908-687-5000 Fax: 908-687-5710

TITLE
 .050 [1.27] MICRO MATCH SOCKET,
 RIGHT ANGLE, TIN PLATED

SIZE	PART NO.	REV.
X	MPF-A-XX-H-T	
REF:	SCALE: NTS	SHEET 1 OF 1

