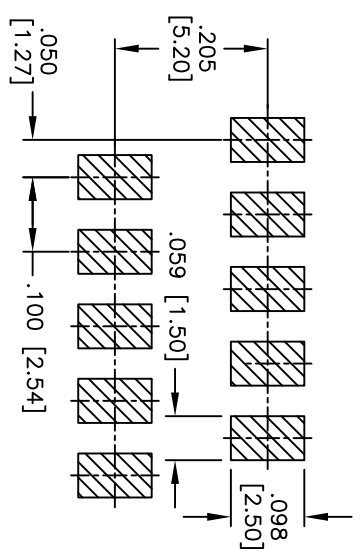
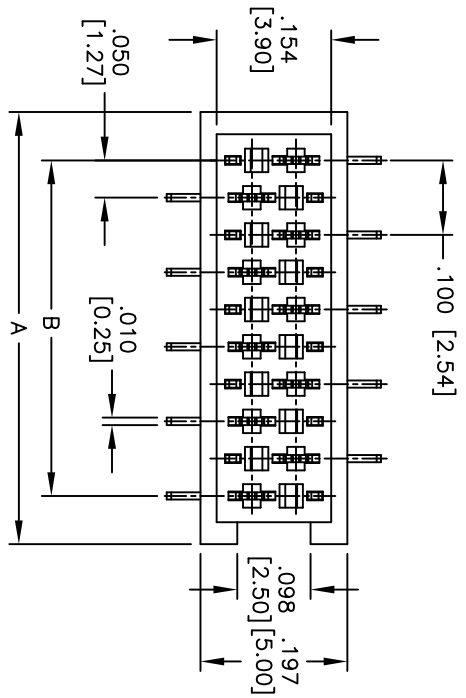
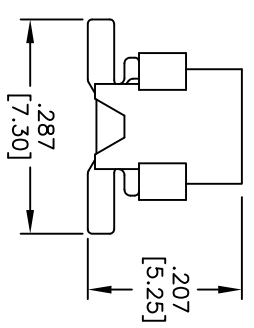
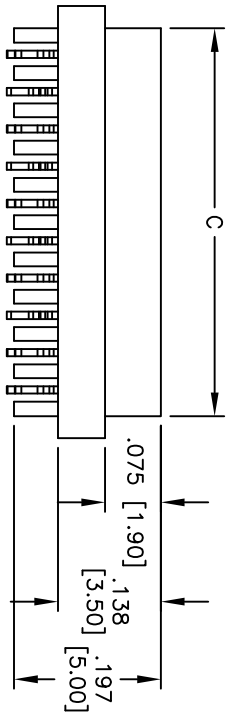


APPROVED: _____
 DATE: _____ TITLE: _____

Rev	AWO #	Description	Date	Appr
-		RELEASED	10/19/09	
A		UNDERPLATE WAS COPPER	1/31/12	SS



RECOMMENDED PCB LAYOUT



Positions: 4 thru 20
 A = .050 [1.27] x No. of Positions + .076 [1.92]
 B = .050 [1.27] x No. of Spoces
 C = .050 [1.27] x No. of Positions + .020 [0.52]

SPECIFICATIONS:
 Material: Insulator: Hi-temp thermoplastic, rated UL 94V-0
 Insulator color: Red
 Contacts: Phosphor Bronze
 Plating: Tin over Nickel underplate overall
 Tfn over Nickel underplate overall
 Electrical:
 Current rating: 1A AC/DC
 Contact resistance: 20 mohms max.
 Insulation resistance: 1,000 Mohms min.
 Dielectric withstanding: 500V AC for 1 minute
 Temperature Rating: Operating temperature: -40°C to +105°C
 Environmental: Lead free, RoHS compliant



UNLESS OTHERWISE SPECIFIED
 ALL DIMENSIONS ARE INCHES [MM]
 TOLERANCES: EXCEPT AS NOTED
 INCHES: .X ± .10 ØXX ± .10
 .XX ± .020 ØXXX ± .015
 .XXX ± .015 ØXXX ± .010

ADAM TECH
 909 Rahway Avenue, Union, NJ 07083
 Phone: 908-687-5000 Fax: 908-687-5710
 TITLE: .050 [1.27] MICRO MATCH SOCKET, SMT TYPE
 TIN PLATED

DRAWN	DY	10/19/09	SIZE	PART NO.	MPF-A-XX-SMT-T	REV.
CHECKED			X			
APPROVED			REF:	S00019C	SCALE: NTS	SHEET 1 OF 1