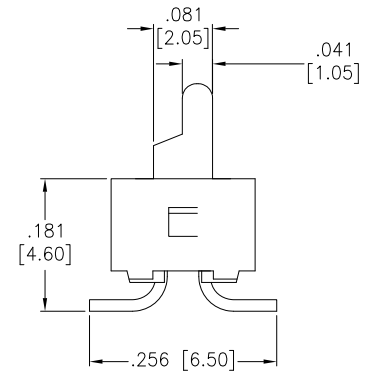
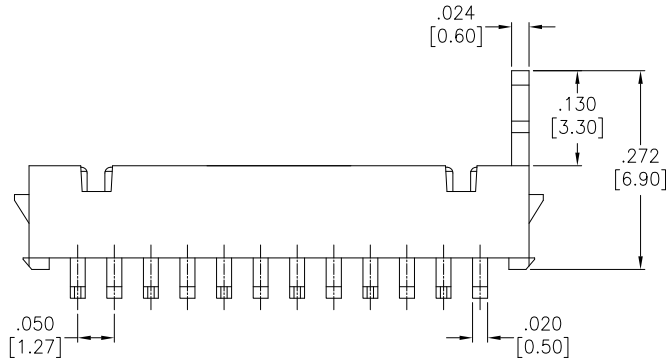
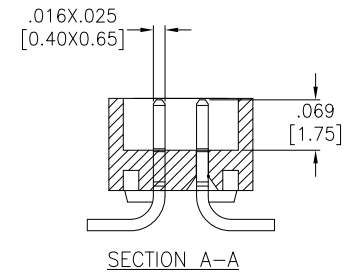
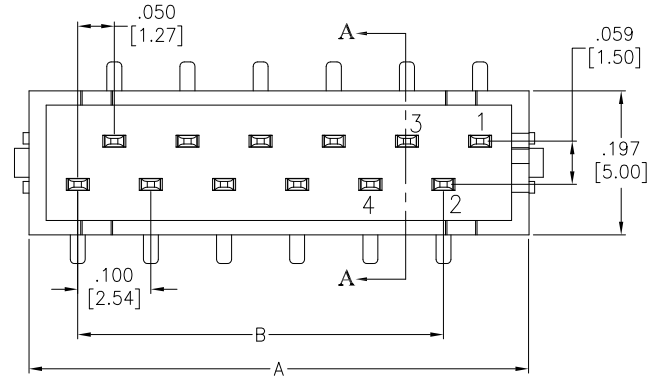
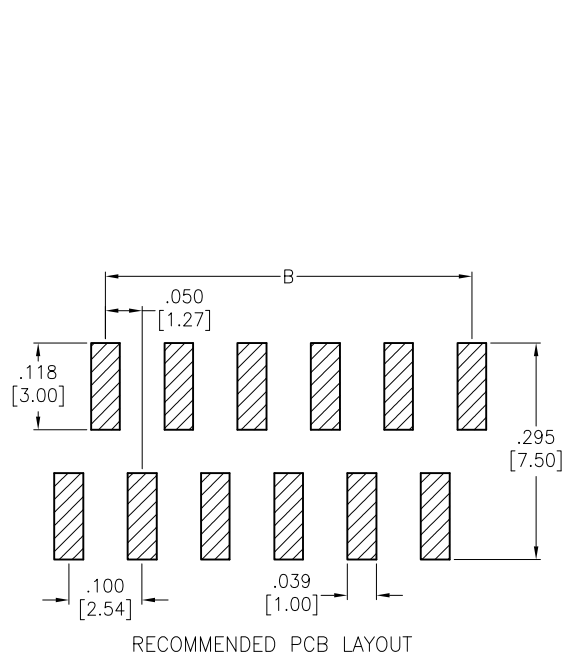


APPROVED: _____
 DATE: _____ TITLE: _____

Rev	AWO #	Description	Date	Appr
-		RELEASED	1/6/15	
A		UPDATE DRAWING	4/21/16	AY/AT



SPECIFICATIONS:

Material:
 Insulator: Hi-Temp Thermoplastic, rated UL 94V-0
 Insulator color: Red
 Contacts: Phosphor Bronze
 Plating:
 Tin over Copper underplate overall
 Electrical:
 Current rating: 1.0 Amp
 Contact resistance: 20 mohms max.
 Insulation resistance: 1,000 Mohms min.
 Dielectric withstanding: 500 V AC/DC for 1 minute
 Temperature Rating:
 Operating temperature: -40°C to +105°C
 Environmental:
 Lead free, RoHS compliant



Positions: 04 thru 20

A = .100 [2.54] x No. of Spaces per row + .183 [4.66]

B = .100 [2.54] x No. of Spaces per row

UNLESS OTHERWISE SPECIFIED ALL DIMENSIONS ARE INCHES [MM] TOLERANCES: EXCEPT AS NOTED		ADAM TECH 909 Rahway Avenue, Union, NJ 07083 Phone: 908-687-5000 Fax: 908-687-5710	
INCHES HOLES			
.X ± .10	∅.X ± .10	TITLE .100 [2.54] MIN FLEX CONNECTOR MALE, SMT TYPE, TIN PLATED	
.XX ± .020	∅.XX ± .015		
.XXX ± .015	∅.XXX ± .010		
APPROVALS		DATE	
DRAWN	AY	1/6/15	
CHECKED	GC	1/6/15	
APPROVED			
SIZE X	PART NO. MPH-A-XX-SMT-T	REV. A	
REF: S00019C	SCALE: NTS	SHEET 1 OF 1	