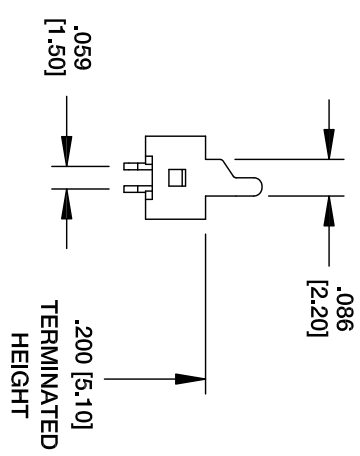
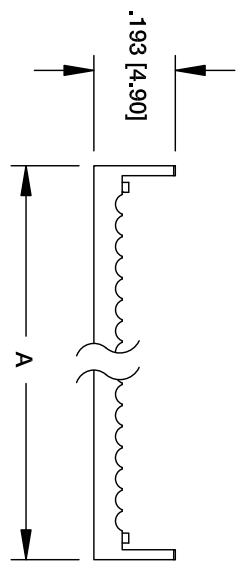
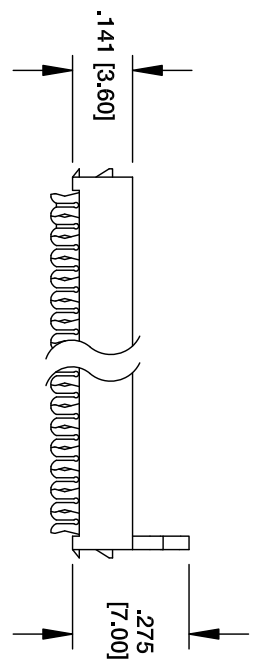
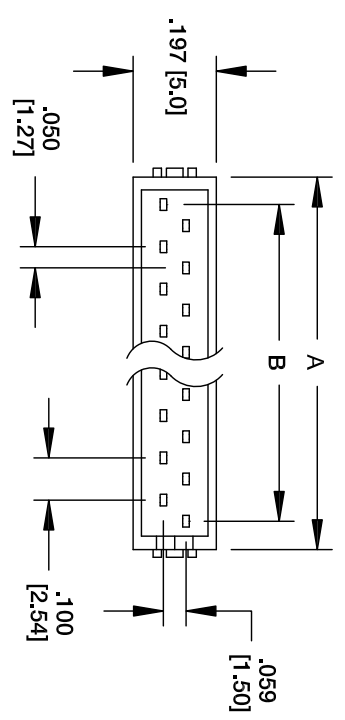
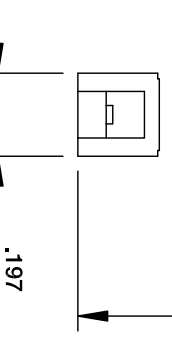


Rev	AWO #	Description	Date	Appr
-		RELEASED	11/06/09	

APPROVED: _____
DATE: _____ TITLE: _____



A = .050 [1.27] X # of positions + .120 [3.05]
B = .050 [1.27] X # of spaces



SPECIFICATIONS:
Material: Insulator: PBT, rated UL 94V-0
Insulator color: Red
Contacts: Phosphor Bronze
Plating: Gold over Nickel underplate on contact area, Tin over Copper underplate on IDC area
Electrical: Voltage rating: 30V AC/DC
Current rating: 1A AC/DC
Contact resistance: 20 mohms max.
Insulation resistance: 1,000 Mohms min.
Dielectric withstanding: 500V AC for 1 minute
Temperature Rating: Operating temperature: -40°C to +105°C
Environmental: Lead free, RoHS compliant

UNLESS OTHERWISE SPECIFIED
ALL DIMENSIONS ARE INCHES [MM]
TOLERANCES: EXCEPT AS NOTED
INCHES: .10 ± .10
.XX ± .020
.XXX ± .015
HOLE: .015 ± .015
Ø.XX ± .015
Ø.XXX ± .010

ADAM TECH
909 Railway Avenue, Union, NJ 07083
Phone: 908-687-5000 Fax: 908-687-5710
ON WIRE TYPE, SELECTIVE GOLD PLATED

DRAWN	DY	11/06/09	TITLE	.100 [2.54] IDC CONNECTOR MALE,
CHECKED			SIZE	PART NO. MPH-XX-F-SG
APPROVED			REF:	S00096T SCALE: NTS SHEET 1 OF 1