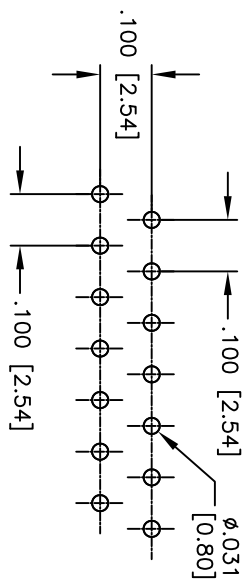
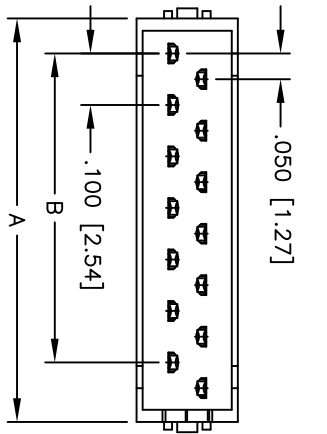
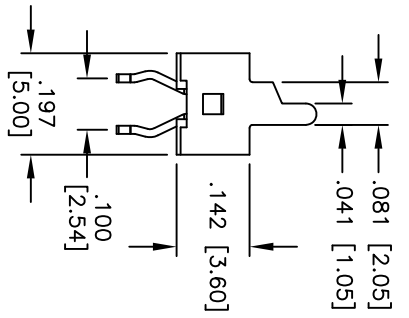
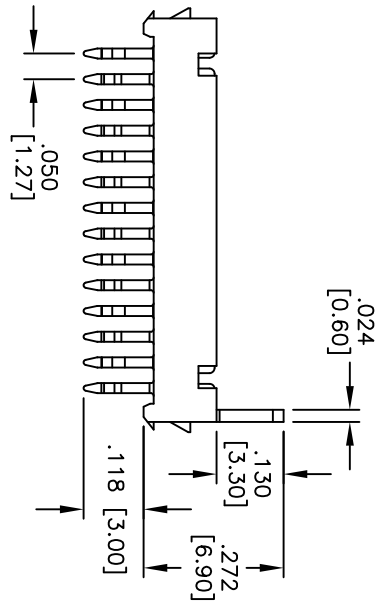


Rev	AWO #	Description	Date	Appr
-		RELEASED	3/11/10	

APPROVED: _____
 DATE: _____ TITLE: _____



RECOMMENDED PCB LAYOUT



SPECIFICATIONS:

- Material: Polyester, rated UL 94V-0
- Insulator color: Red
- Contacts: Phosphor Bronze
- Plating: Tin over Copper underplate overall
- Electrical: Voltage rating: 30V AC/DC
- Current rating: 1A AC/DC
- Contact resistance: 20 mohms max.
- Insulation resistance: 1,000 Mohms min.
- Dielectric withstanding: 500V AC for 1 minute
- Temperature Rating: Operating temperature: -40°C to +105°C
- Environmental: Lead free, RoHS compliant

Positions: 2 thru 13 per row
 A = .100 [2.54] x No. of Spaces + .183 [4.66]
 B = .100 [2.54] x No. of Spaces

ADAM TECH

909 Rahway Avenue, Union, NJ 07083
 Phone: 908-687-5000 Fax: 908-687-5710

TITLE: .100 [2.54] MIN FLEX CONNECTOR MALE,
 STRAIGHT, PCB TYPE, TIN PLATED

UNLESS OTHERWISE SPECIFIED ALL DIMENSIONS ARE IN INCHES [MM]	
TOLERANCES: EXCEPT AS NOTED	
INCHES	HOLDS
.X ± .10	± .10
.XX ± .020	± .015
.XXX ± .015	± .010
APPROVALS	DATE
DRAWN	DY
CHECKED	
APPROVED	

SIZE	PART NO.	REV.
X	MPH-XX-V-T	-
REF:	SCALE: NTS	SHEET 1 OF 1

