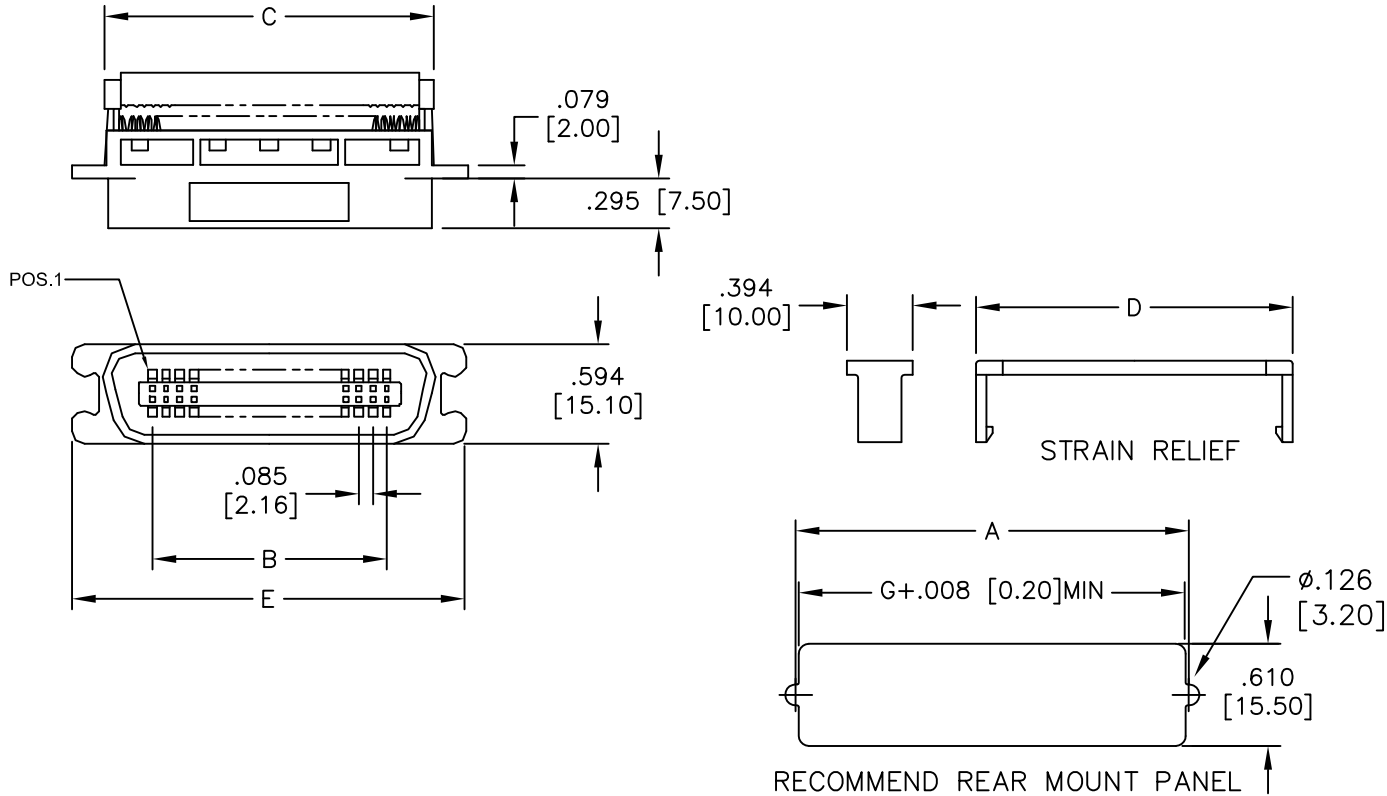


APPROVED: _____
 DATE: _____ TITLE: _____

Rev	AWO #	Description	Date	Appr
-		RELEASED	5/18/05	
A		REDRAWN	3/30/12	
B		REVISED INSULATOR COLOR	10/27/15	AY/MW



SPECIFICATIONS:

Material:
 Insulator: PBT, glass reinforced, rated UL 94V-0
 Insulator color: Blue
 Contacts: Copper Alloy
 Plating:
 Gold flash over Nickel underplate on mating area,
 Tin over Copper underplate on tails
 Electrical:
 Operating voltage: 250 VAC max
 Current rating: 3 Amp max
 Contact resistance: 20 mohms max
 Insulation resistance: 1,000 Mohms min
 Dielectric withstanding voltage: 1,000 VAC for 1 minute
 Temperature Rating:
 Operating temperature: -40°C to +105°C
 Environmental:
 Lead free, RoHS compliant



Positions

MRXX	A	B	C	D	E
MR24	1.842 [46.78]	.935 [23.76]	1.398 [35.50]	1.476 [37.50]	1.913 [48.60]
MR36	2.352 [59.74]	1.446 [36.72]	2.028 [51.50]	2.116 [53.75]	2.425 [61.60]
MR50	2.947 [74.85]	2.041 [51.84]	2.697 [68.50]	2.791 [70.90]	3.020 [76.70]

UNLESS OTHERWISE SPECIFIED
 ALL DIMENSIONS ARE INCHES [MM]
 TOLERANCES: EXCEPT AS NOTED

INCHES		HOLES	
.X	± .10	Ø.X	± .10
.XX	± .020	Ø.XX	± .015
.XXX	± .015	Ø.XXX	± .010

ADAM TECH

909 Rahway Avenue, Union, NJ 07083
 Phone: 908-687-5000 Fax: 908-687-5710

TITLE: IDC MINIATURE RIBBON MALE
 ALL PLASTIC SHELL, NOTCH EARS

APPROVALS		DATE
DRAWN	SS	5/18/05
CHECKED		
APPROVED		

SIZE	PART NO.	REV.
X	MRXX-PE-2	B
REF: S00087T	SCALE: NTS	SHEET 1 OF 1