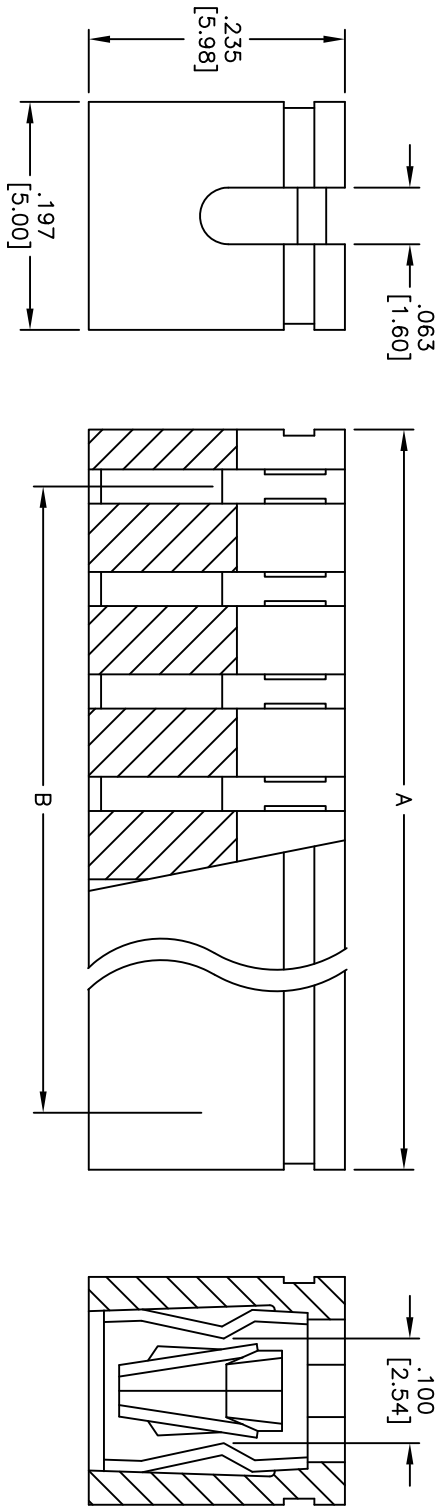


APPROVED: \_\_\_\_\_  
 DATE: \_\_\_\_\_ TITLE: \_\_\_\_\_

Rev	AWO #	Description	Date	Appr
-		RELEASED	7/26/11	
A		REVISED SPEC.	8/17/11	



**SPECIFICATIONS:**  
 Material: PBT, glass reinforced, rated UL 94V-0  
 Insulator color: Black  
 Contacts: Phosphor Bronze  
 Plating: 30u" Gold flash over Nickel underplate overall

**Electrical:**  
 Current rating: 3 Amp max  
 Contact resistance: 30 mohms max  
 Insulation resistance: 1,000 Mohms min  
 Dielectric withstanding voltage: 650 VAC for 1 minute

**Environmental:**  
 Lead free, RoHS compliant

Positions: 2 thru 10, 13  
 A = .100 [2.54] x No. of Positions  
 B = .100 [2.54] x No. of Spaces

**ADAM TECH**  
 909 Rahway Avenue, Union, NJ 07083  
 Phone: 908-687-5000 Fax: 908-687-5710

TITLE: .100 [2.54] GANGED MINI SHUNT, OPEN TOP  
 .235 [5.98] HEIGHT, 30u" GOLD PLATED

UNLESS OTHERWISE SPECIFIED ALL DIMENSIONS ARE INCHES [MM] TOLERANCES: EXCEPT AS NOTED		INCHES		HOLE SIZES	
.X	± .10	Ø.X	± .10		
.XX	± .020	Ø.XXX	± .015		
.XXX	± .015	Ø.XXX	± .010		
APPROVALS		DATE			
DRAWN	AY		7/26/11		
CHECKED	AL		7/26/11		
APPROVED					
SIZE		PART NO.		REV.	
X		MSBG-XX-G-30		A	
REF: S00078T		SCALE: NTS		SHEET 1 OF 1	



6 5 4 3 2 1