

6

5

4

3

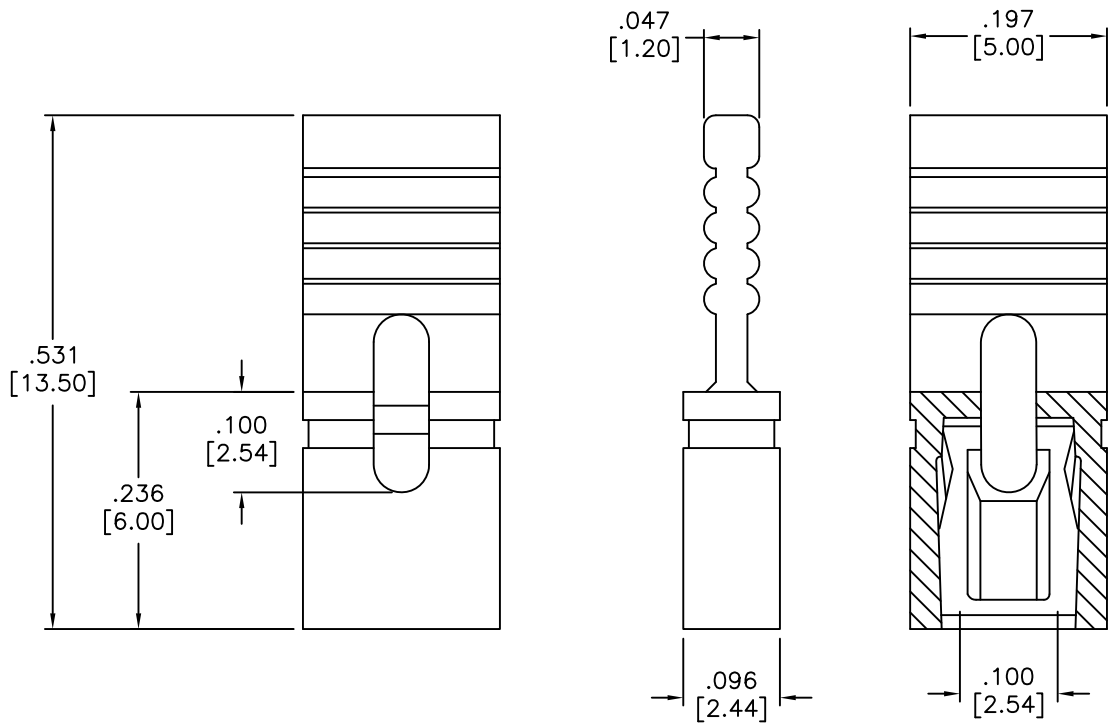
2

1

APPROVED: _____

DATE: _____ TITLE: _____

Rev	AWO #	Description	Date	Appr
-		RELEASED	11/20/15	



SPECIFICATIONS:

Material:
 Insulator: Nylon 66, rated UL 94V-0
 Insulator color: Red
 Contacts: Phosphor Bronze
 Plating:
 30u" Gold over Nickel underplate overall
 Electrical:
 Current rating: 3 Amp max
 Contact resistance: 30 mohms max
 Insulation resistance: 1,000 Mohms min
 Dielectric withstanding voltage: 650 VAC for 1 minute
 Temperature Rating:
 Operating temperature: -55°C to +105°C
 Environmental:
 Lead free, RoHS compliant.



UNLESS OTHERWISE SPECIFIED ALL DIMENSIONS ARE INCHES [MM] TOLERANCES: EXCEPT AS NOTED		
INCHES		
HOLES		
.X ± .10	Ø.X ± .10	
.XX ± .020	Ø.XX ± .015	
.XXX ± .015	Ø.XXX ± .010	
APPROVALS		DATE
DRAWN	AY	11/20/15
CHECKED	TW	11/20/15
APPROVED		

ADAM TECH
 909 Rahway Avenue, Union, NJ 07083
 Phone: 908-687-5000 Fax: 908-687-5710

TITLE: .100 [2.54] MINI SHUNT, HANDLE TOP
 .531 [13.50] HEIGHT, 30u" GOLD PLATED

SIZE X	PART NO. MSBH-G-30-R	REV. -
REF: S00076T	SCALE: NTS	SHEET 1 OF 1

6

5

4

3

2

1