

6

5

4

3

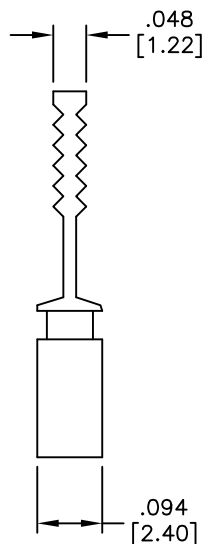
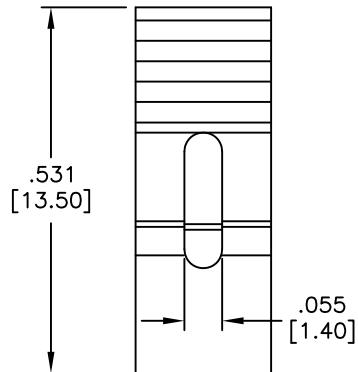
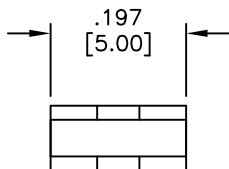
2

1

APPROVED: _____

DATE: _____ TITLE: _____

Rev	AWO #	Description	Date	Appr
-		RELEASED	11/20/15	



SPECIFICATIONS:

Material:

Insulator: Nylon 66, rated UL 94V-0

Insulator color: Red

Contacts: Brass

Plating:

30u" Gold over Nickel underplate overall

Electrical:

Current rating: 1 Amp max

Contact resistance: 20 mohms max

Insulation resistance: 5,000 Mohms min

Dielectric withstanding voltage: 500 VAC for 1 minute

Temperature Rating:

Operating temperature: -55°C to +105°C

Environmental:

Lead free, RoHS compliant



UNLESS OTHERWISE SPECIFIED ALL DIMENSIONS ARE INCHES [MM] TOLERANCES: EXCEPT AS NOTED		ADAM TECH 909 Rahway Avenue, Union, NJ 07083 Phone: 908-687-5000 Fax: 908-687-5710	
INCHES HOLES			
.X ± .10	∅.X ± .10	TITLE .100 [2.54] MINI SHUNT, HANDLE TOP .531 [13.50] HEIGHT, 30u" GOLD PLATED	
.XX ± .020	∅.XX ± .015		
.XXX ± .015	∅.XXX ± .010		
APPROVALS		DATE	
DRAWN	HR	11/20/15	
CHECKED	TW	11/20/15	
APPROVED			
SIZE X	PART NO. MSBH-G-A-30-R	REV. -	
REF: S00059T	SCALE: NTS	SHEET 1 of 1	

6

5

4

3

2

1