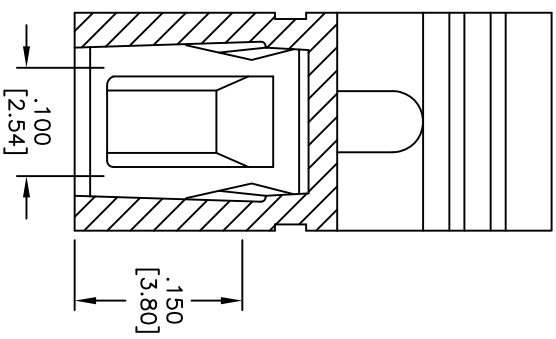
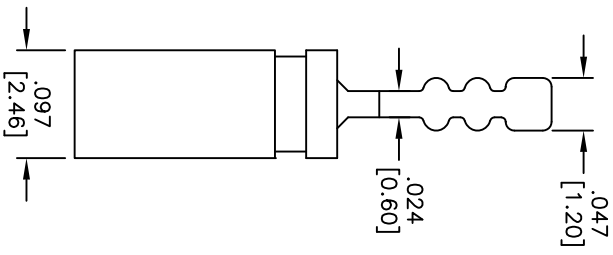
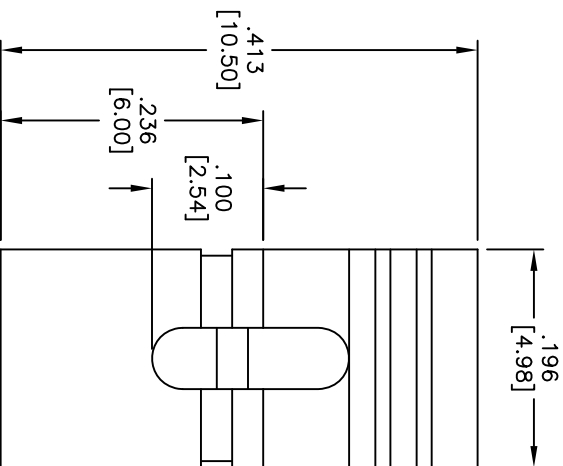


Rev	AWO #	Description	Date	Appr
-		RELEASED	5/19/15	

APPROVED: _____
 DATE: _____ TITLE: _____



SPECIFICATIONS:

- Material: Nylon 66, rated UL 94V-0
- Insulator color: Red
- Contacts: Phosphor Bronze
- Plating: Gold flash over Nickel underplate overall
- Electrical: Current rating: 3 Amp max
 Contact resistance: 30 mohms max
 Insulation resistance: 1,000 Mohms max
 Dielectric withstanding voltage: AC 650 volts RMS at sea level
- Environmental: Lead free, RoHS compliant



UNLESS OTHERWISE SPECIFIED
 ALL DIMENSIONS ARE INCHES [MM]
 TOLERANCES: EXCEPT AS NOTED

INCHES	HOLES
.X ± .10	ØX ± .10
.XX ± .020	ØXXX ± .015
.XXX ± .015	ØXXX ± .010

APPROVALS

DATE	DATE
AY	5/19/15
YC	5/19/15

ADAM TECH

909 Rahway Avenue, Union, NJ 07083
 Phone: 908-687-5000 Fax: 908-687-5710

TITLE: .100 [2.54] MINI SHUNT, WITH HANDLE
 .413 [10.50] HEIGHT

SIZE	PART NO.	SCALE	SHEET	REV.
X	MSBH-GH10.5-R	NTS	1 of 1	-

6 5 4 3 2 1