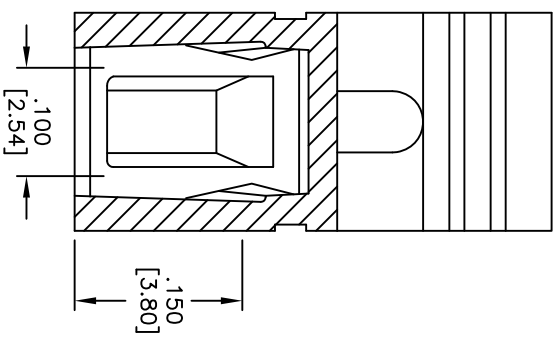
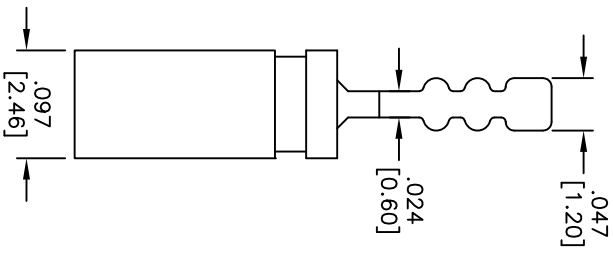
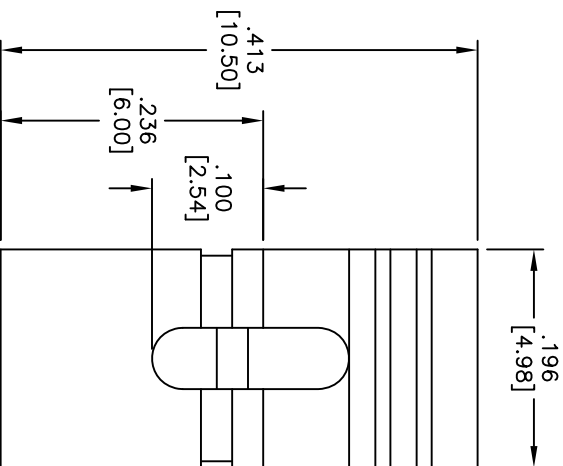


APPROVED: \_\_\_\_\_  
 DATE: \_\_\_\_\_ TITLE: \_\_\_\_\_

Rev	AWO #	Description	Date	Appr
-		RELEASED	12/02/10	
A		REVISED SPEC.	5/22/15	AVY/C



**SPECIFICATIONS:**

Material: Nylon 66, rated UL 94V-0  
 Insulator color: Black  
 Contacts: Phosphor Bronze  
 Plating:  
 Gold flash over Nickel underplate overall  
 Electrical:  
 Current rating: 3 Amp max  
 Contact resistance: 30 mohms max  
 Insulation resistance: 1,000 Mohms max  
 Dielectric withstanding voltage: AC 650 volts RMS at sea level  
 Environmental:  
 Lead free, RoHS compliant



UNLESS OTHERWISE SPECIFIED  
 ALL DIMENSIONS ARE INCHES [MM]  
 TOLERANCES: EXCEPT AS NOTED  
 INCHES  
 .X ± .10 ØX ± .10  
 .XX ± .020 ØXX ± .015  
 .XXX ± .015 ØXXX ± .010  
 APPROVALS DATE

**ADAM TECH**

909 Railway Avenue, Union, NJ 07083  
 Phone: 908-687-5000 Fax: 908-687-5710

TITLE: .100 [2.54] MINI SHUNT, WITH HANDLE  
 .413 [10.50] HEIGHT

DRAWN	DY	12/02/10	SIZE	PART NO.	REV.
CHECKED			X	MSBH-GH10.5	A
APPROVED			REF: S00078T	SCALE: NTS	SHEET 1 of 1