

Rev	AWO #	Description	Date	Appr
-		RELEASED	1/5/12	

6

5

4

3

2

1

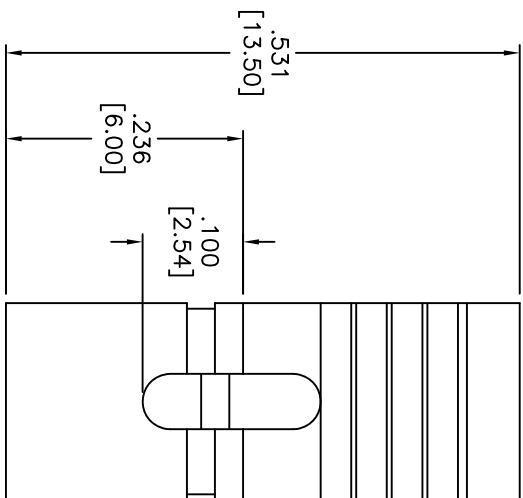
APPROVED: \_\_\_\_\_

DATE: \_\_\_\_\_ TITLE: \_\_\_\_\_

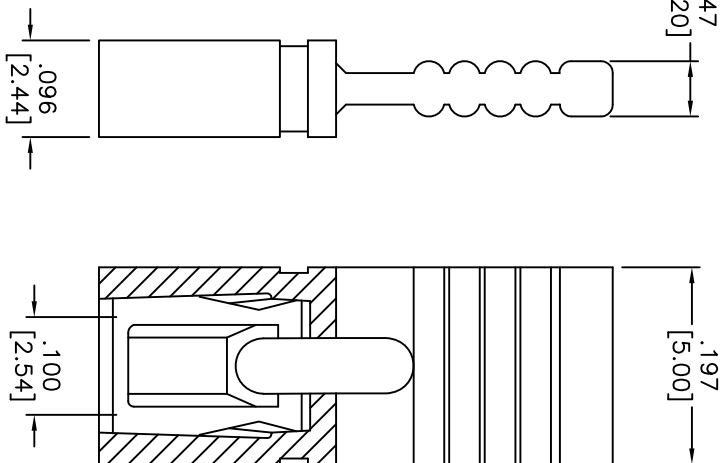
D



C



B



**SPECIFICATIONS:**

Material:

Insulator: Nylon 66, rated UL 94V-0

Insulator color: Blue

Contacts: Phosphor Bronze

Plating:

G = Gold flash over Nickel underplate overall

T = Tin over Copper underplate overall

Electrical:

Current rating: 3 Amp max

Insulation resistance: 30 mohms max

Dielectric withstanding voltage: 650 VAC for 1 minute

Operating temperature:

Temperature Rating: -55°C to +105°C

Environmental:

Lead free, RoHS compliant.



**ADAM TECH**

909 Rahway Avenue, Union, NJ 07083  
 Phone: 908-687-5000 Fax: 908-687-5710

TITLE: .100 [2.54] MINI SHUNT, HANDLE TOP  
 .531 [13.50] HEIGHT, COLOR: BLUE

UNLESS OTHERWISE SPECIFIED ALL DIMENSIONS ARE INCHES [MM]	
TOLERANCES: EXCEPT AS NOTED	
INCHES	HOLDS
.X ± .10	ØXX ± .10
.XX ± .020	ØXXX ± .015
.XXX ± .015	ØXXXX ± .010
APPROVALS	DATE
DRAWN AY	1/5/12
CHECKED OC	1/5/12
APPROVED	

SIZE X	PART NO. MSBH-X-B	REV. -
REF: S00078T	SCALE: NTS	SHEET 1 OF 1

A

B

C

D

A

6

5

4

3

2

1