

| Rev | AWO # | Description | Date | Appr |
|-----|-------|-------------|----------|------|
| - | | RELEASED | 10/18/11 | |

6

5

4

3

2

1

APPROVED: _____

DATE: _____ TITLE: _____

D

D

C

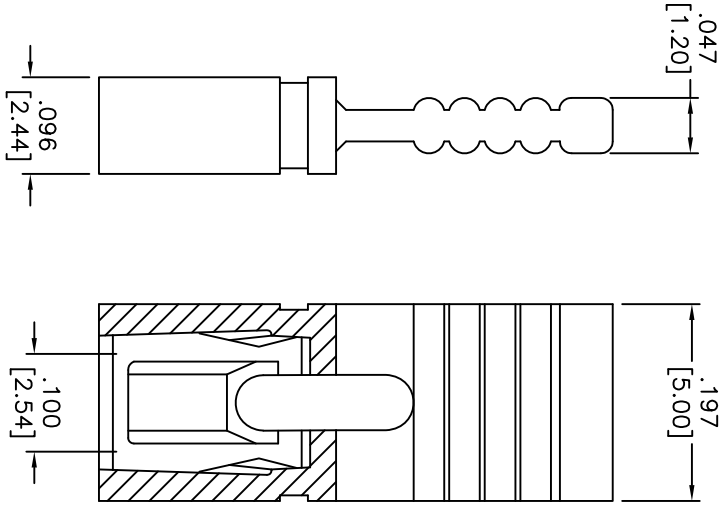
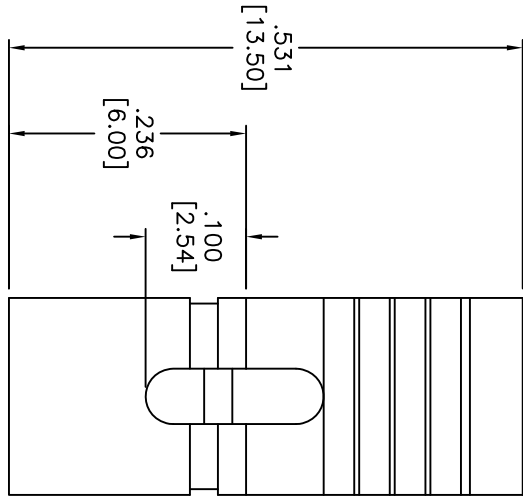
C

B

B

A

A



SPECIFICATIONS:

Material:

Insulator: Nylon 66, rated UL 94V-0

Insulator color: Yellow

Contacts: Phosphor Bronze

Plating:

G = Gold flash over Nickel underplate overall

T = Tin over Copper underplate overall

Electrical:

Current rating: 3 Amp max

Contact resistance: 30 mohms max

Insulation resistance: 1,000 Mohms min

Dielectric withstanding voltage: 650 VAC for 1 minute

Temperature Rating:

Operating temperature: -55°C to +105°C

Environmental:

Lead free, RoHS compliant.

Recommended soldering temp: 235°C for 5 sec.



ADAM TECH

909 Rahway Avenue, Union, NJ 07083
 Phone: 908-687-5000 Fax: 908-687-5710

TITLE: .100 [2.54] MINI SHUNT, HANDLE TOP
 .531 [13.50] HEIGHT, COLOR: YELLOW

| | | | |
|--|--------|-----------------------------|--------|
| UNLESS OTHERWISE SPECIFIED ALL DIMENSIONS ARE INCHES [MM] | | TOLERANCES: EXCEPT AS NOTED | |
| INCHES | | HOLEES | |
| .X | ± .10 | ØX | ± .10 |
| .XX | ± .020 | ØXXX | ± .015 |
| .XXX | ± .015 | ØXXXX | ± .010 |
| APPROVALS | | DATE | |
| DRAWN | AY | 10/18/11 | |
| CHECKED | CC | 10/18/11 | |
| APPROVED | | | |

| | | |
|--------------|------------|--------------|
| REF: S00078T | SCALE: NTS | SHEET 1 OF 1 |
|--------------|------------|--------------|

6

5

4

3

2

1