

6

5

4

3

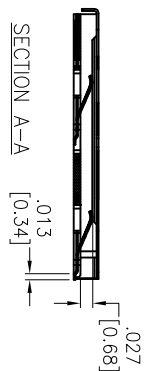
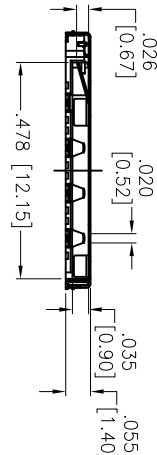
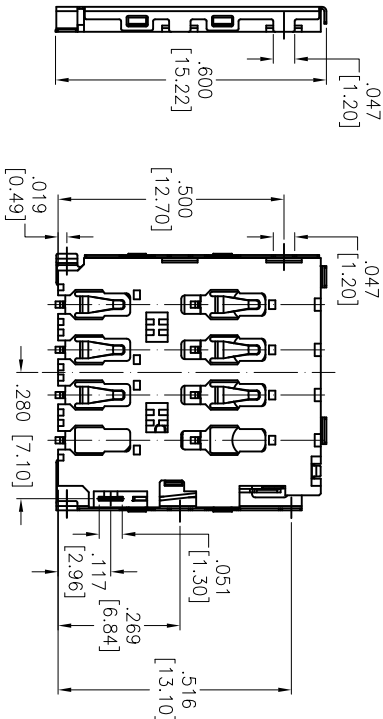
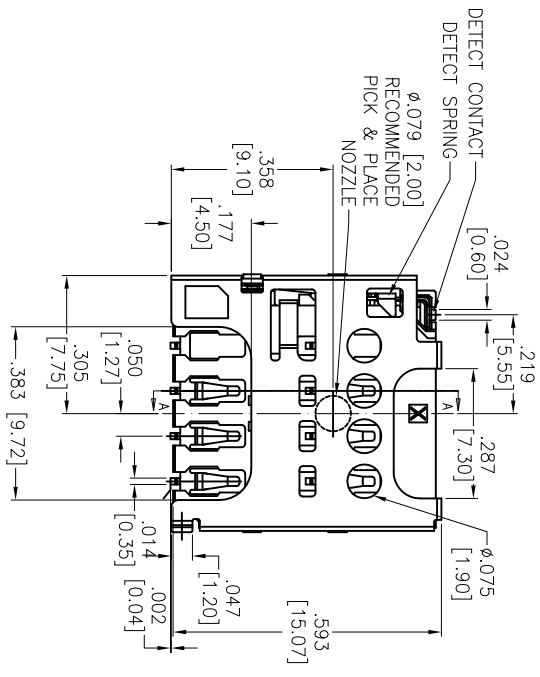
2

1

Rev	AWO #	Description	Date	Appr
-		RELEASED	2/11/14	

APPROVED: \_\_\_\_\_

DATE: \_\_\_\_\_ TITLE: \_\_\_\_\_



SWITCH CIRCUIT	
WHEN CARD IS EJECTED	WHEN CARD IS INSERTED
CLOSE	OPEN

**ADAM TECH**

909 Rahway Avenue, Union, NJ 07083  
 Phone: 908-687-5000 Fax: 908-687-5710

MICRO SIM SOCKET, 6 PIN, 15 u" GOLD PLATED

**SPECIFICATIONS:**

**Material:**  
 Insulator: Hi-temp thermoplastic, rated UL 94V-0  
 Insulator color: Black  
 Contacts: Phosphor Bronze  
 Shell: Stainless Steel, Tin plated  
 Switch: Brass, Gold plated  
 Plating:  
 15u" Gold over Nickel underplate on contact area,  
 Gold flash over Nickel underplate on solder tails

**Electrical:**  
 Operating voltage: 10 VDC max  
 Current rating: 0.5 Amps max  
 Contact resistance: 100 mohms max  
 Insulation resistance: 1,000 Mohms min  
 Dielectric withstanding voltage: 500 VAC for 1 minute

**Temperature Rating:**  
 Operating temperature: -40°C to +85°C

**Environmental:**  
 Lead free, RoHS compliant

PACKAGED ON TAPE & REEL

UNLESS OTHERWISE SPECIFIED	
ALL DIMENSIONS ARE INCHES [MM]	
TOLERANCES: EXCEPT AS NOTED	
INCHES	HOLDS
.X ± .10	ØXX ± .10
.XX ± .020	ØXXX ± .015
.XXX ± .015	ØXXXX ± .010
APPROVALS	DATE
DRAWN	HR
CHECKED	GC
APPROVED	

SIZE	PART NO.	REV.
X	MSCC-B-06-G-15-T/R	-
REF: S00009T	SCALE: NTS	SHEET 1 OF 2



6

5

4

3

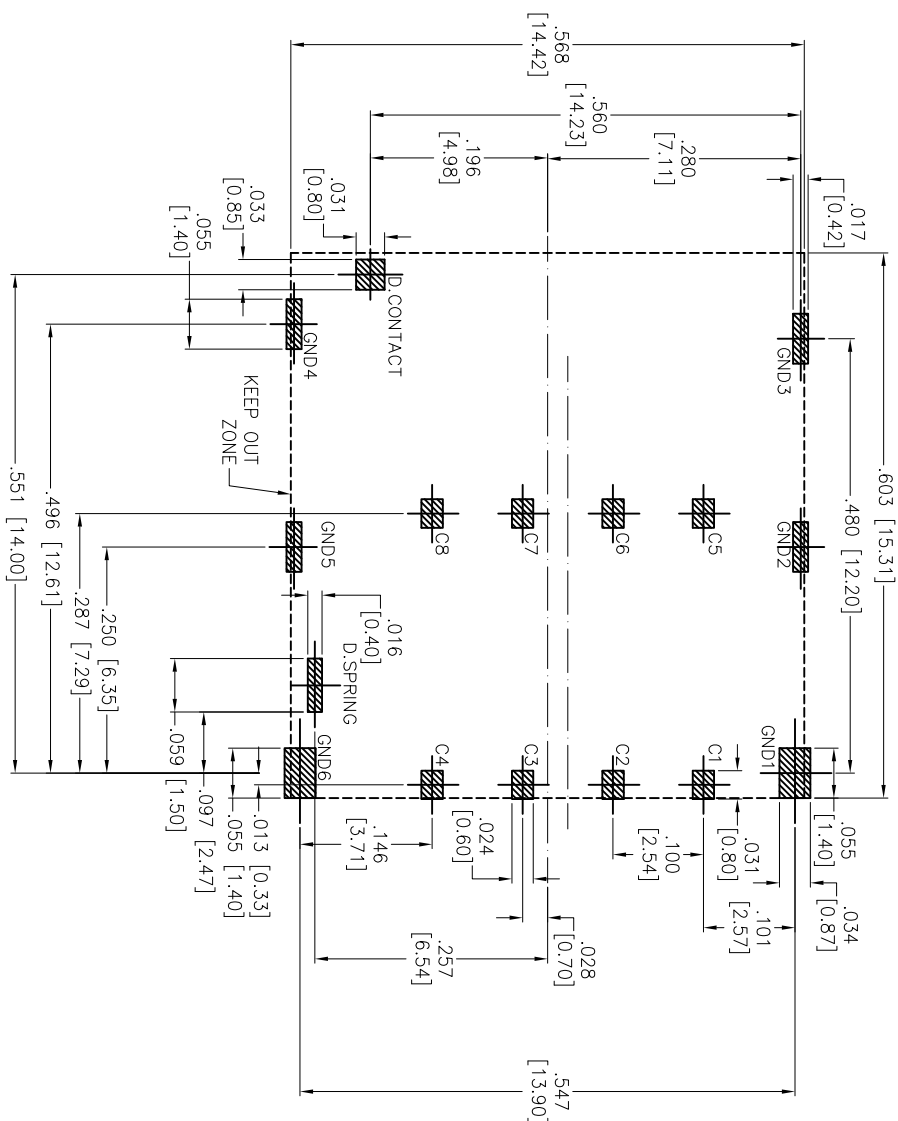
2

1

APPROVED: \_\_\_\_\_

DATE: \_\_\_\_\_ TITLE: \_\_\_\_\_

Rev	AWO #	Description	Date	Appr
		SEE SHT 1 OF 2 FOR REVISION		



PIN ASSIGNMENT

Vcc	RST	CLK	NA	GND	Vpp	I/O	NA
C1	C2	C3	C4	C5	C6	C7	C8

UNLESS OTHERWISE SPECIFIED  
ALL DIMENSIONS ARE INCHES [MM]  
TOLERANCES: EXCEPT AS NOTED  
INCHES  
.X ± .10  
.XX ± .020  
.XXX ± .015  
HOLE SIZE  
ØX ± .10  
ØXX ± .015  
ØXXX ± .010

**ADAM TECH**  
909 Railway Avenue, Union, NJ 07083  
Phone: 908-687-5000 Fax: 908-687-5710

TITLE: MICRO SIM SOCKET, 6 PIN, 15 u" GOLD PLATED

APPROVALS	DATE	SIZE	PART NO.	REV.
DRAWN	HR	2/11/14		
CHECKED	GC	2/11/14	MSCC-B-06-G-15-T/R	
APPROVED				