

| Rev | AWO # | Description | Date | Appr |
|-----|-------|-------------|---------|------|
| - | | RELEASED | 2/27/14 | |

6

5

4

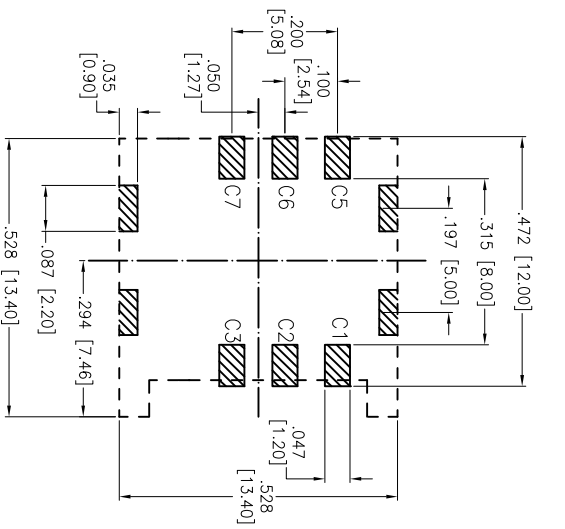
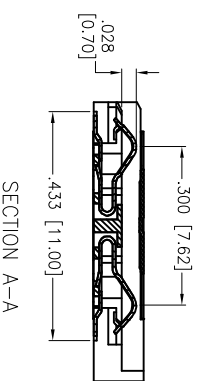
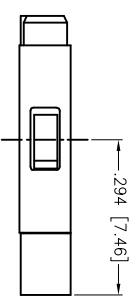
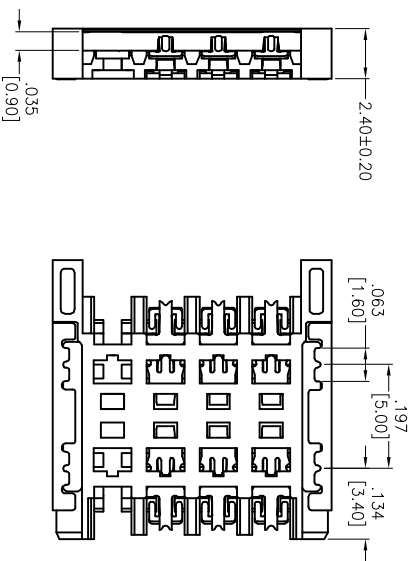
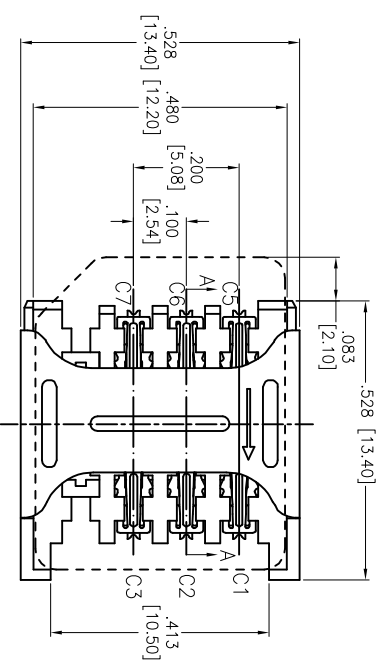
3

2

1

APPROVED: _____

DATE: _____ TITLE: _____



SPECIFICATIONS:

- Material: Insulation material: Hi-Temp Thermoplastic, UL94V-0
- Contact material: Phosphor Bronze
- Shell material: Stainless Steel, Nickel plating
- Plating: Gold flash over Nickel underplate overall
- Electrical: Contact resistance: 100 mohms Max.
- Insulation resistance: 1,000 Mohms min @ 500 VDC
- Temperature Rating: Operating temperature: -40°C to +85°C
- Environmental: Lead free, RoHS compliant

PACKAGED ON TAPE & REEL

| | |
|--------------------------------|-------------|
| UNLESS OTHERWISE SPECIFIED | |
| ALL DIMENSIONS ARE INCHES [MM] | |
| TOLERANCES: EXCEPT AS NOTED | |
| INCHES | HOLDS |
| .X ± .10 | ØX ± .10 |
| .XX ± .020 | ØXX ± .015 |
| .XXX ± .015 | ØXXX ± .010 |
| APPROVALS | DATE |
| DRAWN | HR |
| CHECKED | GC |
| APPROVED | |

ADAM TECH
 909 Railway Avenue, Union, NJ 07083
 Phone: 908-687-5000 Fax: 908-687-5710

TITLE: MICRO SIM CARD CONNECTOR
 6 PIN, GOLD PLATED, TAPE & REEL

| | | |
|---------|----------------|--------------|
| SIZE | PART NO. | REV. |
| X | MSCC-C-06-G-1R | - |
| REF: | SCALE: NTS | SHEET 1 OF 1 |
| S00108C | | |

6

5

4

3

2

1