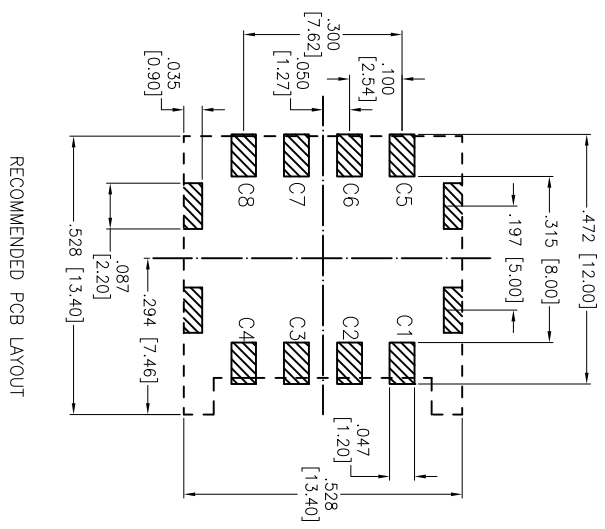
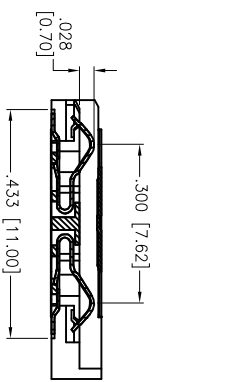
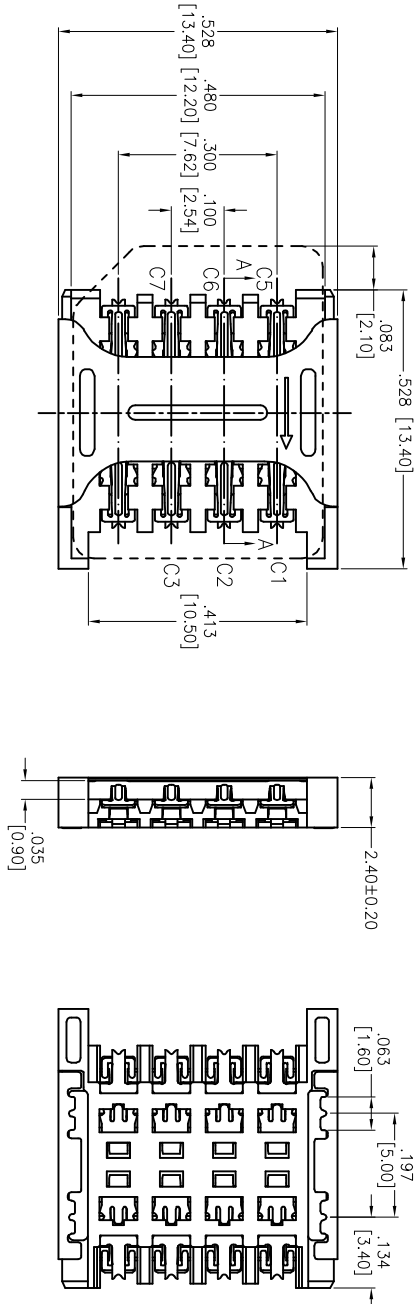


Rev	AWO #	Description	Date	Appr
-		RELEASED	2/27/14	

APPROVED: _____
 DATE: _____ TITLE: _____



SPECIFICATIONS:
 Material: Insulation material: Hi-Temp Thermoplastic, UL94V-0
 Contact material: Phosphor Bronze
 Shell material: Stainless Steel, Nickel plating
 Plating: Gold flash over Nickel underplate overall
 Electrical: Contact resistance: 100 mohms Max.
 Insulation resistance: 1,000 Mohms min @ 500 VDC
 Temperature Rating: Operating temperature: -40°C to +85°C
 Environmental: Lead free, RoHS compliant

PACKAGED ON TAPE & REEL

UNLESS OTHERWISE SPECIFIED ALL DIMENSIONS ARE INCHES [MM]	
TOLERANCES: EXCEPT AS NOTED	
INCHES	HOLDS
.X ± .10	ØXX ± .10
.XX ± .020	ØXXX ± .015
.XXX ± .015	ØXXXX ± .010
APPROVALS	DATE
DRAWN	HR
CHECKED	GC
APPROVED	

ADAM TECH
 909 Rahway Avenue, Union, NJ 07083
 Phone: 908-687-5000 Fax: 908-687-5710

TITLE: MICRO SIM CARD CONNECTOR
8 PIN, GOLD PLATED, TAPE & REEL

SIZE	PART NO.	REV.
X	MSCC-C-08-G-T/R	-
REF: S00108C	SCALE: NTS	SHEET 1 OF 1