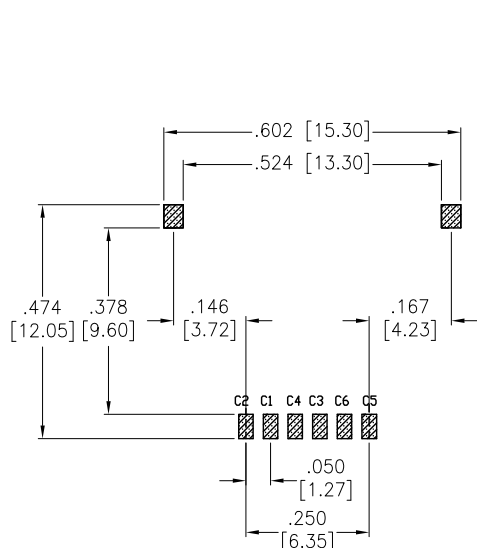
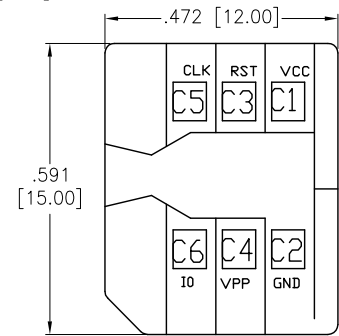
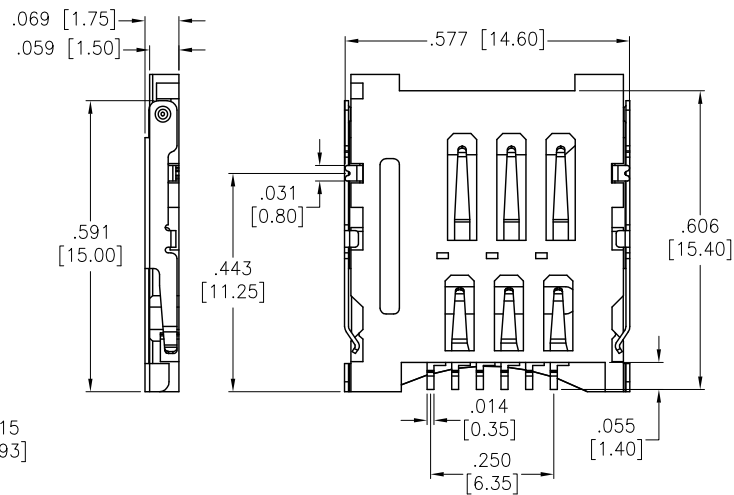
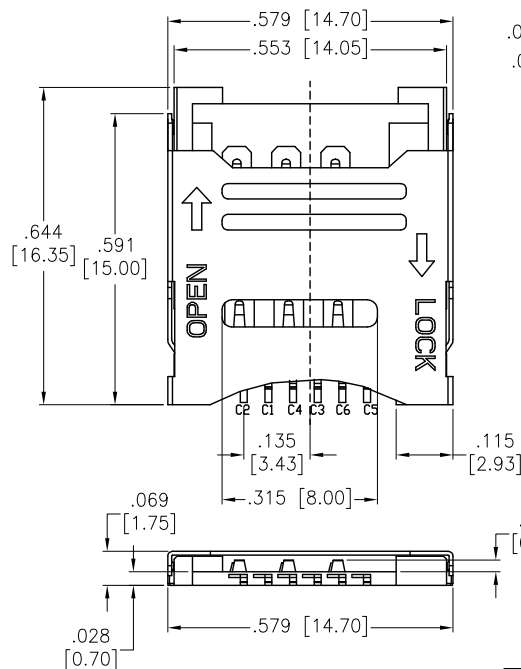


APPROVED: _____
 DATE: _____ TITLE: _____

Rev	AWO #	Description	Date	Appr
-		RELEASED	7/12/16	



■ SMT SOLDER AREA
 RECOMMENDED PCB LAYOUT



PIN NO.	NAME	PIN NO.	NAME
C1	VCC	C4	VPP
C2	GND	C5	CLK
C3	RST	C6	IO

SPECIFICATIONS:

Material:
 Insulation: Hi-Temp Thermoplastic, UL94V-0
 Insulator color: Black
 Contact material: Phosphor Bronze
 Shell material: Stainless Steel
 Plating:
 Gold flash over Nickel underplate on contact area,
 Tin over Nickel underplate on solder tails
 Electrical:
 Voltage rating: 30 VDC max
 Contact resistance: 50 mohms Max.
 Insulation resistance: 1,000 Mohms min @ 500 V
 Dielectric withstanding voltage: 500 V r.m.s/min
 Temperature Rating:
 Operating temperature: -25°C to +65°C
 Environmental:
 Lead free, RoHS compliant



PACKAGED ON TAPE & REEL

MICRO SIM

UNLESS OTHERWISE SPECIFIED
 ALL DIMENSIONS ARE INCHES [MM]
 TOLERANCES: EXCEPT AS NOTED
 INCHES HOLES
 .X ± .10 Ø.X ± .10
 .XX ± .020 Ø.XX ± .015
 .XXX ± .015 Ø.XXX ± .010

ADAM TECH

909 Rahway Avenue, Union, NJ 07083
 Phone: 908-687-5000 Fax: 908-687-5710

APPROVALS		DATE
DRAWN	AY	7/12/16
CHECKED	MY	7/12/16
APPROVED		

TITLE MICRO SIM CARD CONNECTOR 6 PIN, SEL GOLD PLATE, HINGED COVER		
SIZE X	PART NO. MSCC-E1-06-SG-HC-T/R	REV. -
REF: S00161C	SCALE: NTS	SHEET 1 OF 1