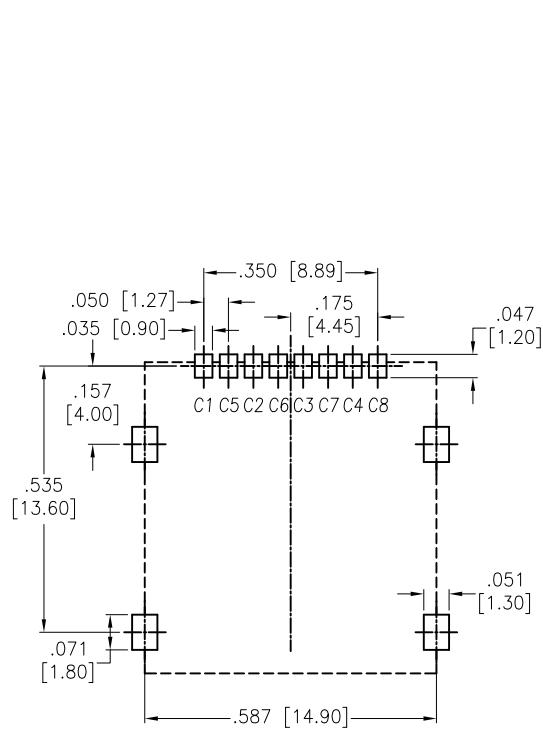
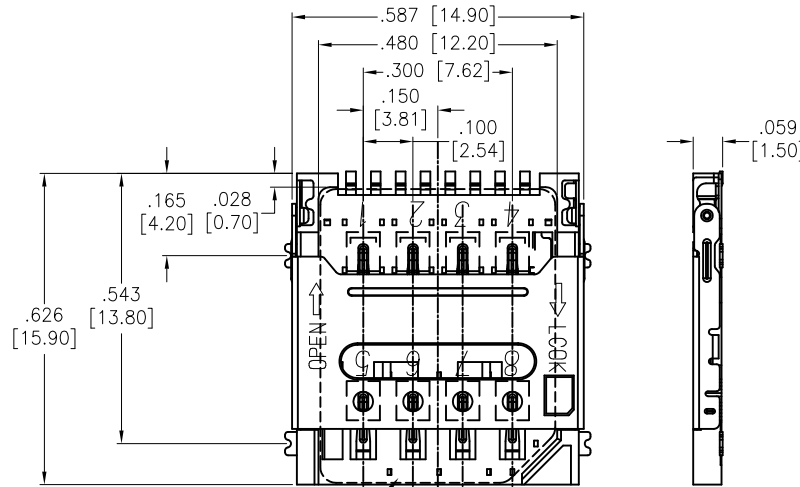


APPROVED: _____
 DATE: _____ TITLE: _____

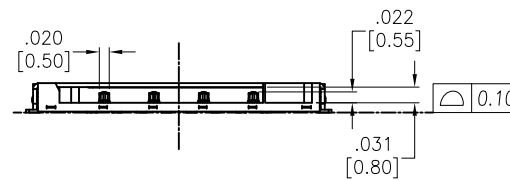
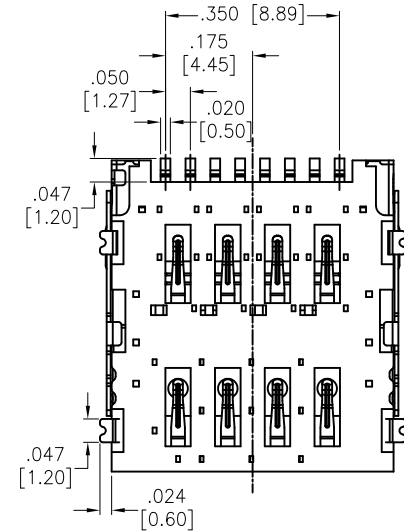
Rev	AWO #	Description	Date	Appr
-		RELEASED	9/7/16	



RECOMMENDED PCB LAYOUT



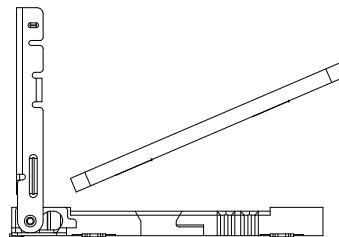
Micro-SIM Card



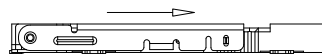
SIM CARD	
Pin No.	NAME
C1	VCC
C2	RST
C3	CLK
C4	RESERVED
C5	GND
C6	VPP
C7	I/O
C8	RESERVED

SPECIFICATIONS:

Material:
 Insulation: Hi-Temp Thermoplastic, UL94V-0, Color: Black
 Contact: Phosphor Bronze
 Shell: Stainless Steel, Gold over Nickel underplate on solder tails
Plating:
 Gold over Nickel underplate on contact overall
Electrical:
 Contact resistance: 60 mohms Max.
 Insulation resistance: 1,000 Mohms min
 Dielectric withstanding voltage: 500 VAC for 1 minute
Mechanical:
 Durability: 5,000 Cycles
 Temperature Rating:
 Operating temperature: -25°C to +70°C
 Environmental:
 Lead free, RoHS compliant



STEP 1 INSERT Micro-SIM CARD



STEP 2 PUSH THE SHELL



STEP 3 FINISH

PACKAGED ON TAPE & REEL

UNLESS OTHERWISE SPECIFIED ALL DIMENSIONS ARE INCHES [MM] TOLERANCES: EXCEPT AS NOTED			
INCHES		HOLES	
.X	± .10	∅X	± .10
.XX	± .020	∅.XX	± .015
.XXX	± .015	∅.XXX	± .010
APPROVALS		DATE	
DRAWN	HR	9/7/16	
CHECKED	SC	9/7/16	
APPROVED			

ADAM TECH

909 Rahway Avenue, Union, NJ 07083
 Phone: 908-687-5000 Fax: 908-687-5710

TITLE MICRO SIM CARD CONNECTOR, 8 PIN, GOLD PLATE HINGED COVER, W/O POST, H=1.5MM			
SIZE	PART NO.	REV.	
X	MSSC-H-08-G-HC-T/R	-	
REF:	S00275T	SCALE:	NTS
		SHEET 1 OF 1	