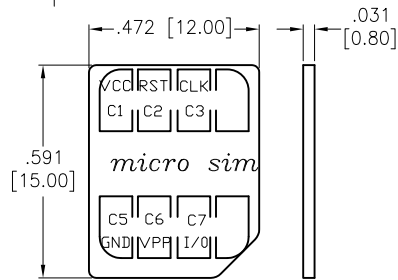
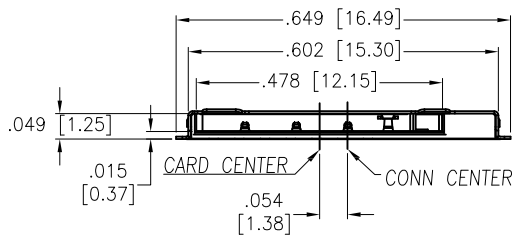
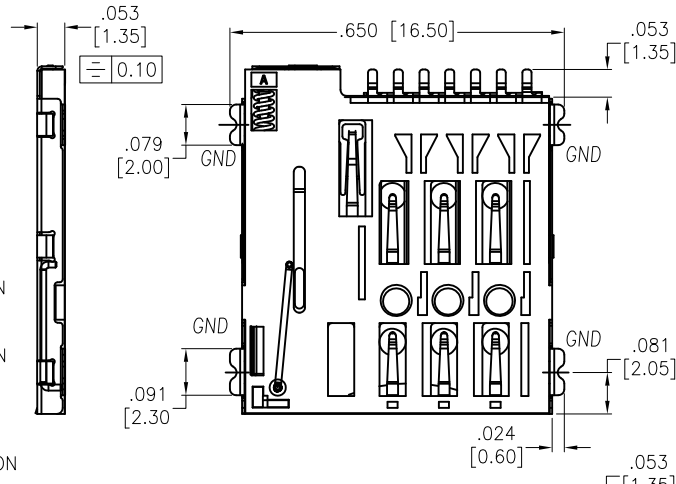
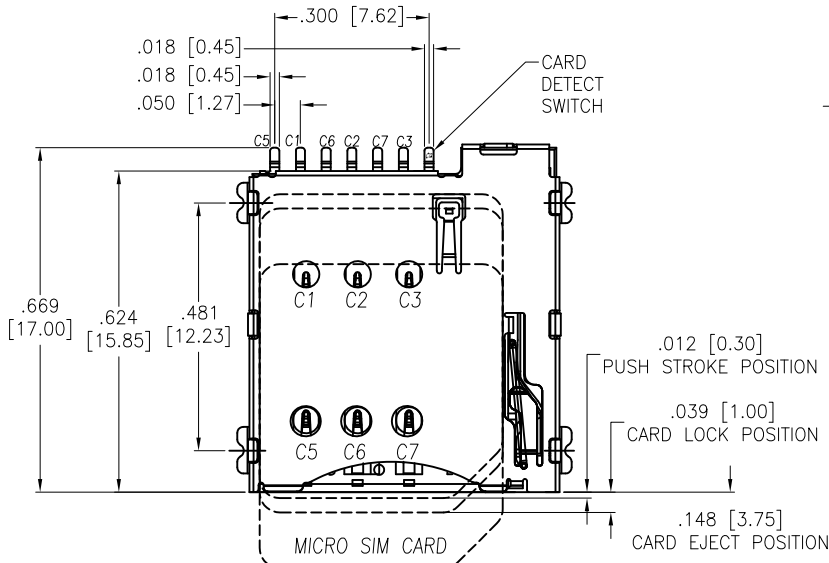
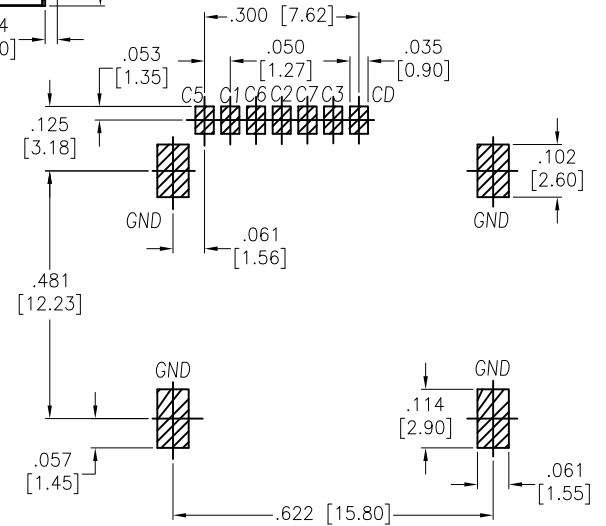


APPROVED: \_\_\_\_\_  
 DATE: \_\_\_\_\_ TITLE: \_\_\_\_\_

Rev	AWO #	Description	Date	Appr
-		RELEASED	11/24/14	
A		ADDED DIM.	8/6/15	AY/OC
B		UPDATED DRAWING	10/26/15	HR/OC



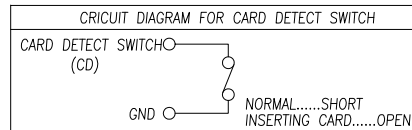
SIM pin Assignment	
PIN#	Name
C1	VCC
C2	RST
C3	CLK
C5	GND
C6	VPP
C7	I/O



■ CIRCUIT TRACE KEEP OUT AREA  
 ▨ SMT SOLDER AREA

**SPECIFICATIONS:**

Material:  
 Insulation material: Hi-Temp Thermoplastic, UL94V-0, Color: Black  
 Contact material: Copper Alloy  
 Shell: Stainless, Nickel plated  
 Plating:  
 Gold flash over Nickel underplate on contact area  
 Electrical:  
 Operating voltage: 125 VAC/DC max  
 Current rating: AC/DC 0.5 mA max  
 Contact resistance: 100 mohms Max.  
 Insulation resistance: 1,000 Mohms min @ 500 VDC  
 Temperature Rating:  
 Operating temperature: -20°C to +60°C  
 Environmental:  
 Lead free, RoHS compliant



PACKAGED ON TAPE & REEL

RECOMMENDED PCB LAYOUT

UNLESS OTHERWISE SPECIFIED ALL DIMENSIONS ARE INCHES [MM] TOLERANCES: EXCEPT AS NOTED		
INCHES	HOLES	
.X ± .10	Ø.X ± .10	
.XX ± .020	Ø.XX ± .015	
.XXX ± .015	Ø.XXX ± .010	
APPROVALS		DATE
DRAWN	HR	11/24/14
CHECKED	NP	11/24/14
APPROVED		

**ADAM TECH**  
 909 Rahway Avenue, Union, NJ 07083  
 Phone: 908-687-5000 Fax: 908-687-5710

TITLE: MICRO SIM CARD CONNECTOR, PUSH-PUSH  
 TYPE, 6 PIN, SEL-GOLD PLATED, TAPE & REEL

SIZE X	PART NO. MSCCP-A-06-SG-SW-T/R	REV. B
REF: S00108C	SCALE: NTS	SHEET 1 OF 1