

APPROVED: \_\_\_\_\_  
 DATE: \_\_\_\_\_ TITLE: \_\_\_\_\_

Rev	AWO #	Description	Date	Appr
-		RELEASED	1/28/16	

D

D

C

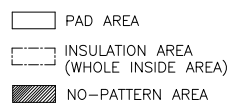
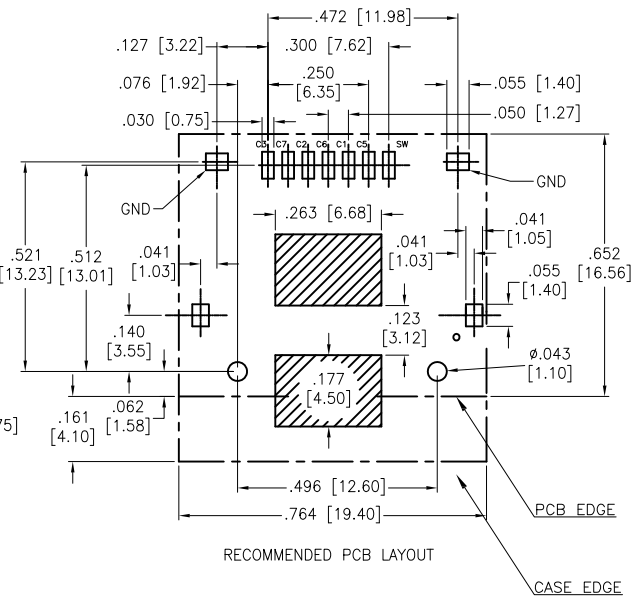
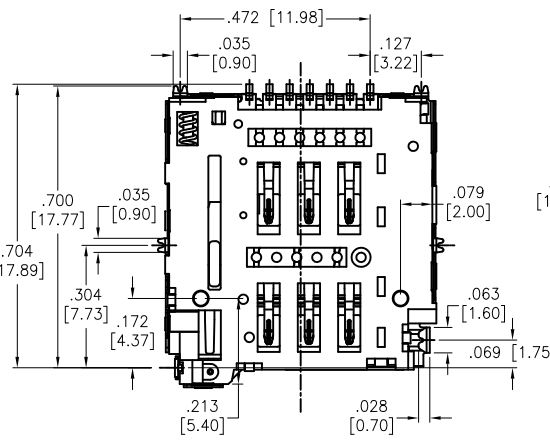
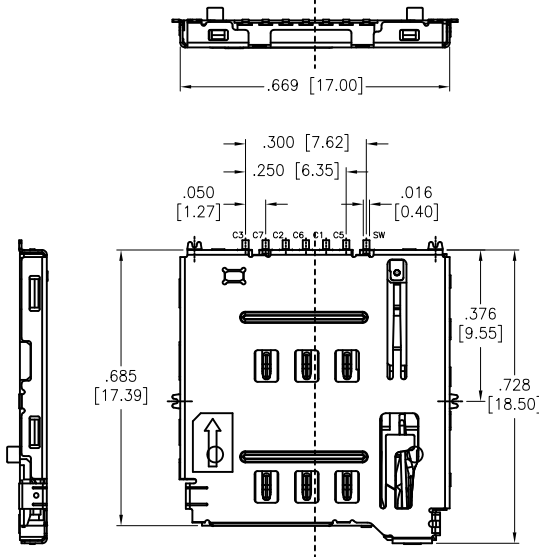
C

B

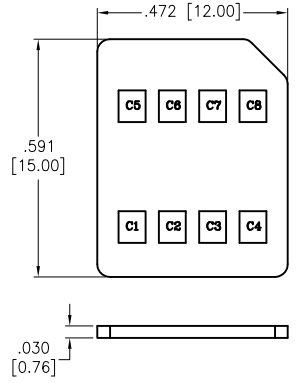
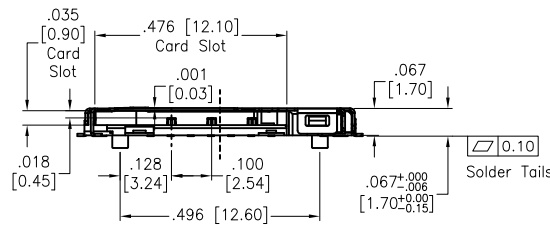
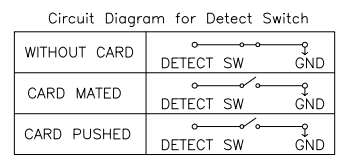
B

A

A



Pin No.	NAME
C1	VCC
C2	RST
C3	CLK
C4	Reserved
C5	GND
C6	VPP
C7	I/O
C8	Reserved



**SPECIFICATIONS:**  
 Material:  
 Insulation: Hi-Temp Thermoplastic, UL94V-0, Color: Black  
 Contact: Copper Alloy  
 Shell: Stainless Steel  
 Link: Stainless Steel  
 Spring: Stainless Steel  
 Plating:  
 Gold flash over Nickel underplate overall  
 Electrical:  
 Rated Current: 0.5 Amp max.  
 Contact resistance: 30 mohms max.  
 Insulation resistance: 1,000 Mohms min @ 500 VDC  
 Dielectric withstanding voltage: 500 VAC for 1 minute  
 Temperature Rating:  
 Operating temperature: -25°C to +85°C  
 Environmental:  
 Lead free, RoHS compliant



PACKAGED ON TAPE & REEL

UNLESS OTHERWISE SPECIFIED ALL DIMENSIONS ARE INCHES [MM] TOLERANCES: EXCEPT AS NOTED		
INCHES		HOLES
.X ± .10	∅X ± .10	
.XX ± .020	∅XX ± .015	
.XXX ± .015	∅XXX ± .010	
APPROVALS		DATE
DRAWN	HR	1/28/16
CHECKED	LW	1/28/16
APPROVED		

**ADAM TECH**  
 909 Rahway Avenue, Union, NJ 07083  
 Phone: 908-687-5000 Fax: 908-687-5710

TITLE: MICRO SIM CARD CONNECTOR, 6 PIN, GOLD PLATE  
 W/ SWITCH, W/ POST, H=1.7MM

SIZE	PART NO.	REV.
X	MSCCP-B-06-G-SW-T/R	-

REF: S00275T SCALE: NTS SHEET 1 OF 2

6

5

4

3

2

1

6

5

4

3

2

1

APPROVED: \_\_\_\_\_

DATE: \_\_\_\_\_ TITLE: \_\_\_\_\_

Rev	AWO #	Description	Date	Appr
-----	-------	-------------	------	------

SEE SHT 1 OF 2 FOR REVISION

D

D

C

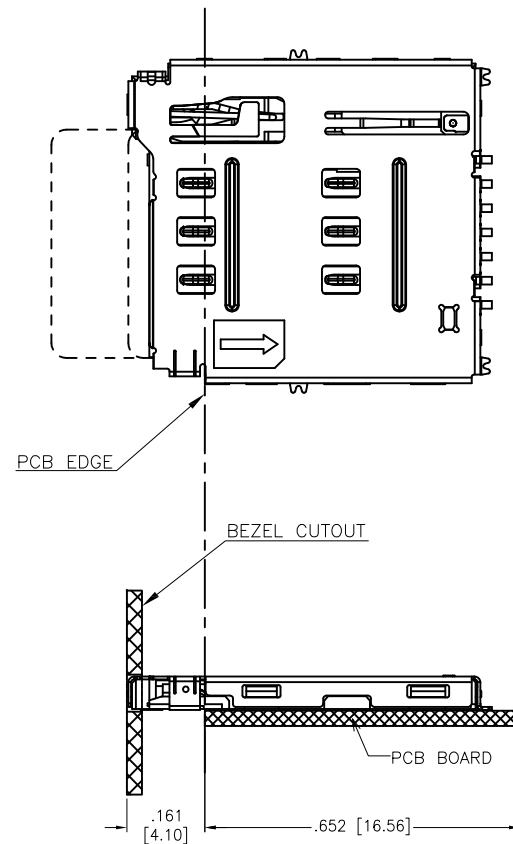
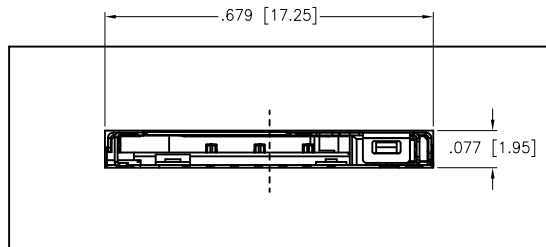
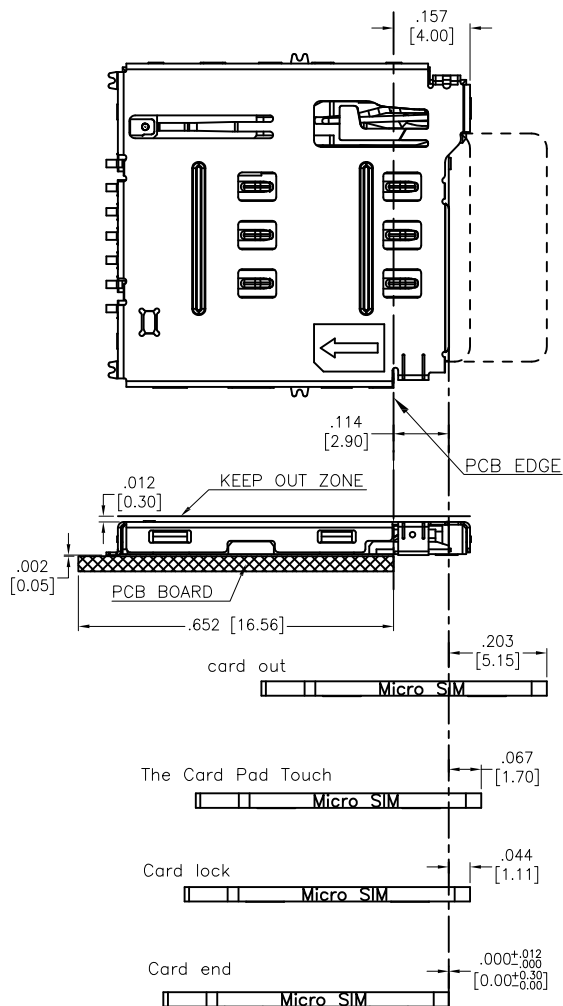
C

B

B

A

A



RECOMMENDATION BEZEL CUTOUT CENTER SPACING DETAIL  
BEZEL THICKNESS:0.8~2.60

UNLESS OTHERWISE SPECIFIED  
ALL DIMENSIONS ARE INCHES [MM]  
TOLERANCES: EXCEPT AS NOTED

INCHES		HOLES	
.X	± .10	∅.X	± .10
.XX	± .020	∅.XX	± .015
.XXX	± .015	∅.XXX	± .010

# ADAM TECH

909 Rahway Avenue, Union, NJ 07083  
Phone: 908-687-5000 Fax: 908-687-5710

APPROVALS		DATE
DRAWN	HR	1/28/16
CHECKED	LW	1/28/16
APPROVED		

TITLE		
MICRO SIM CARD CONNECTOR, 6 PIN, GOLD PLATE		
W/ SWITCH, W/ POST, H=1.7MM		
SIZE	PART NO.	REV.
X	MSCCP-B-06-G-SW-T/R	-
REF:	S00275T	SCALE: NTS
		SHEET 2 OF 2

6

5

4

3

2

1