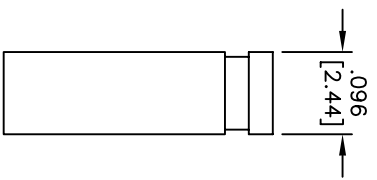
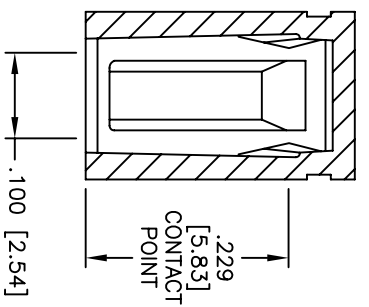
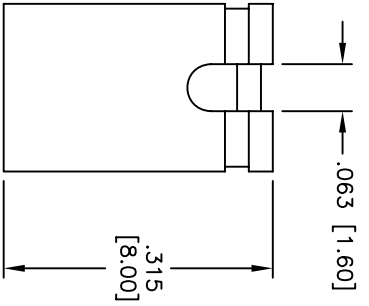
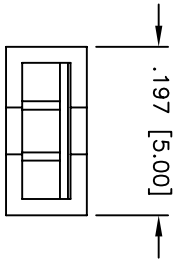


Rev	AWO #	Description	Date	Appr
-		RELEASED	4/6/05	
A		REVISED SHAPE	3/20/08	
B		REDRAWING	4/02/08	

APPROVED: \_\_\_\_\_  
 DATE: \_\_\_\_\_ TITLE: \_\_\_\_\_



**SPECIFICATIONS:**

Material: Insulator: PBT, glass reinforced, rated UL 94V-0

Insulator color: Black

Contacts: Phosphor Bronze

Plating:

G = Gold flash over Nickel underplate overall

T = Tin over Copper underplate overall

Electrical:

Operating voltage: 250 VAC max

Current rating: 3 Amp max

Contact resistance: 30 mohms max

Insulation resistance: 1,000 Mohms min

Dielectric withstanding voltage: 650 VAC for 1 minute

Temperature Rating:

Operating temperature: -55°C to +105°C

Environmental:

Lead free, RoHS compliant



UNLESS OTHERWISE SPECIFIED  
 ALL DIMENSIONS ARE INCHES [MM]  
 TOLERANCES: EXCEPT AS NOTED  
 INCHES HOLES  
 X ± .10 ØXX ± .10  
 XX ± .020 ØXXX ± .015  
 .XXX ± .015 Ø/XXX ± .010

**ADAM TECH**  
 909 Rahway Avenue, Union, NJ 07083  
 Phone: 908-687-5000 Fax: 908-687-5710

APPROVALS	DATE
DRAWN SS	4/6/05
CHECKED	
APPROVED	

TITLE	.100 [2.54] MINI SHUNT, OPEN TOP	
SIZE	PART NO.	MSDB-X
REF:	SCALE:	NTS
	SHEET	1 OF 1