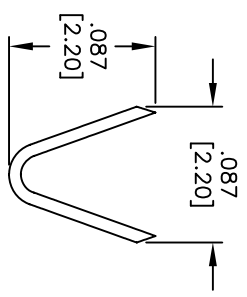
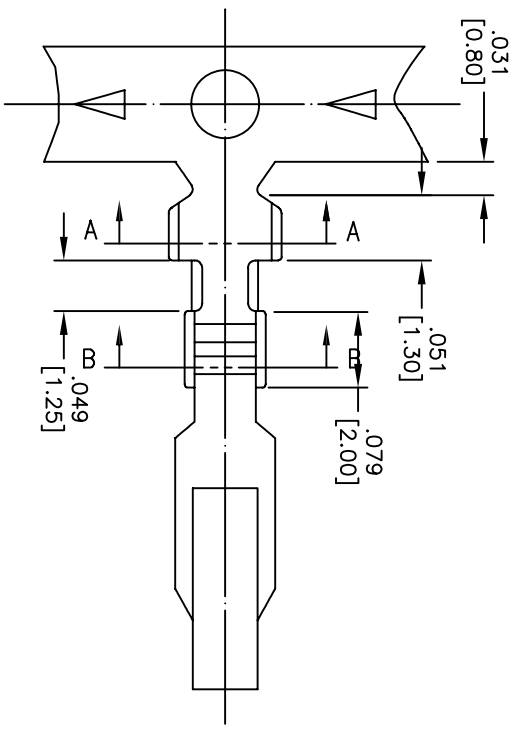
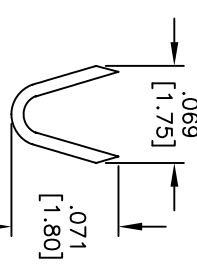


Rev	AWO #	Description	Date	Appr
-	12517	RELEASED	10/12/12	

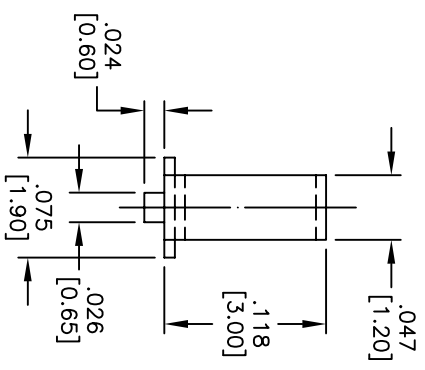
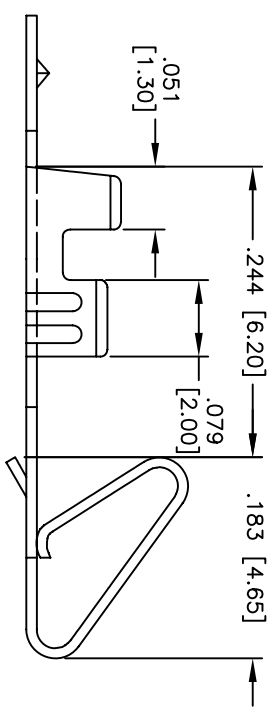
APPROVED: \_\_\_\_\_  
 DATE: \_\_\_\_\_ TITLE: \_\_\_\_\_



SECTION A-A



SECTION B-B



**SPECIFICATIONS:**

Material: Phosphor Bronze  
 Plating: Tin Plated  
 Thickness: 0.2mm  
 Wire Range: AWG#22~#28  
 Insulation O.D: 1.5mm  
 Environmental:  
 Lead free, RoHS compliant.



UNLESS OTHERWISE SPECIFIED  
 ALL DIMENSIONS ARE IN INCHES [MM]  
 TOLERANCES: EXCEPT AS NOTED

INCHES	HOLES
.X ± .10	ØX ± .10
.XX ± .020	ØXX ± .015
.XXX ± .015	ØXXX ± .010

APPROVALS

DATE	APPROVALS
10/12/12	AY
10/12/12	GH

**ADAM TECH**

909 Railway Avenue, Union, NJ 07083  
 Phone: 908-687-5000 Fax: 908-687-5710

TITLE  
 .100 [2.54] CRIMP CONTACT, MTA SERIES  
 TIN PLATED, ON REELS

SIZE	PART NO.	REV.
X	MTA-C-PB-R	-