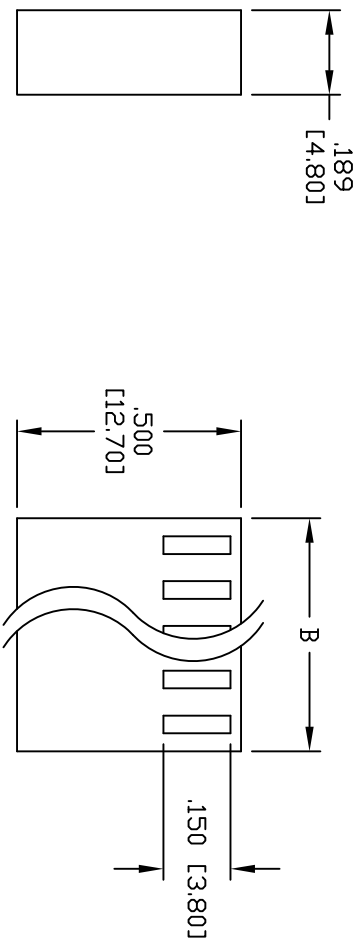
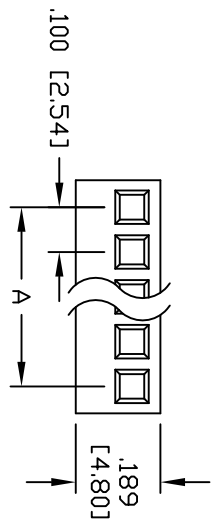


Rev	AWO #	Description	Date	Appr
-		RELEASED	3/31/11	

APPROVED: _____
 DATE: _____ TITLE: _____



A=.100 [2.54] X No. of Spaces
 B=.100 [2.54] X No. of Spaces + .120 [3.06]

SPECIFICATIONS:
Material: Insulator: Nylon 66, Rated UL 94V-2
 Insulator color: White
 Contacts: Brass
Plating: Tin over Copper underplate overall
Electrical:
 Operating voltage: 250 VAC max.
 Current rating: 3 Amps max.
 Insulation resistance: 1000 Mohms min @ 500 VDC
 Dielectric withstanding voltage: 1500 VAC / minute.
Temperature Rating:
 Operating temperature: -40°C to +105°C



UNLESS OTHERWISE SPECIFIED ALL DIMENSIONS ARE INCHES [MM]	
TOLERANCES: EXCEPT AS NOTED	
INCHES	HOLES
.X ± .10	ØXX ± .10
.XX ± .020	ØXXX ± .015
.XXX ± .015	ØXXXX ± .010
APPROVALS	DATE
DRAWN AY	3/31/11
CHECKED VW	3/31/11
APPROVED	

ADAM TECH
 909 Rahway Avenue, Union, NJ 07083
 Phone: 908-687-5000 Fax: 908-687-5710

TITLE: HOUSING, PITCH .100 [2.54], UL94V-0
 NO POLARIZING RIP, NO LOCKING RAMP

SIZE	PART NO.	REV.
X	MTA-XX-NRNR-V2	-
REF:	S00018T	SHEET 1 OF 1
SCALE:	NTS	