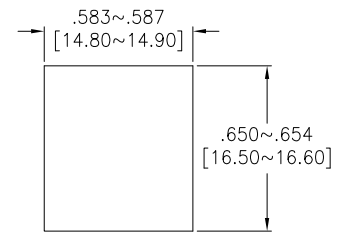
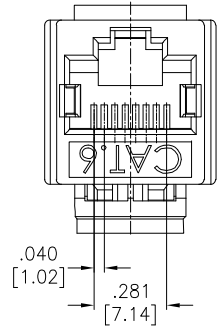
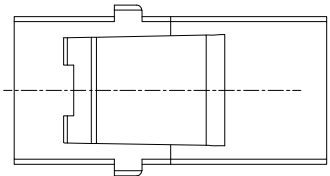
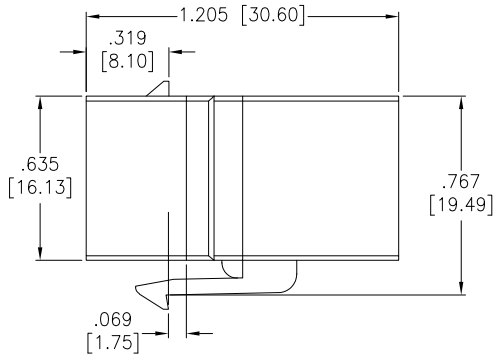
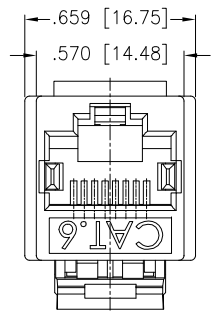
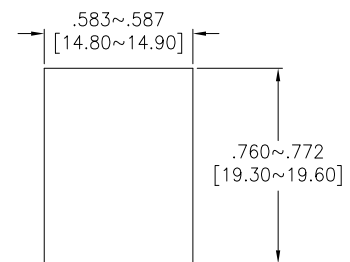


APPROVED: \_\_\_\_\_  
 DATE: \_\_\_\_\_ TITLE: \_\_\_\_\_

Rev	AWO #	Description	Date	Appr
-		RELEASED	2/5/16	



Front Panel Jack Only Clearance  
w/o Latch Feature



Single Panel Jack Only Clearance  
Panel Thickness 1.60mm

**SPECIFICATIONS:**

Material:  
 Insulator: ABS, rated UL 94V-0  
 Insulator color: Black  
 Contacts: Phosphor Bronze  
 Plating:  
 Gold over Nickel underplate on contact area,  
 Tin over Copper underplate between contact areas  
 (See Chart for Thickness)

Electrical:  
 Operating voltage: 125 VAC max.  
 Current rating: 1.5 Amps max.  
 Contact resistance: 60 mohms max.  
 Insulation resistance: 1000 Mohms min. @ 500 VDC  
 Dielectric withstanding voltage: 1000 VAC for 1 minute  
 Temperature Rating:  
 Operating temperature: -20°C to +75°C

Environmenta:  
 Leade free, RoHS Compliant



X	PLATING
0	15 µin Gold
1	30 µin Gold
2	50 µin Gold
6	6 µin Gold

UNLESS OTHERWISE SPECIFIED ALL DIMENSIONS ARE MILLIMETERS TOLERANCES: EXCEPT AS NOTED		
.X	±	2.54
.XX	±	.508
.XXX	±	.381
APPROVALS		DATE
DRAWN	AY	2/5/16
CHECKED	TW	2/5/16
APPROVED		

**ADAM TECH**  
 909 Rahway Avenue, Union, NJ 07083  
 Phone: 908-687-5000 Fax: 908-687-5710

TITLE: MODULAR TELEPHONE JACK COUPLER  
 8P8C, PANEL MOUNT, CAT. 6, COLOR BLACK

SIZE X	PART NO. MTJC-88-X-PB-C6	REV. -
-----------	-----------------------------	-----------

REF: S00279T SCALE: NTS SHEET 1 OF 1

6 5 4 3 2 1

6 5 4 3 2 1