

6

5

4

3

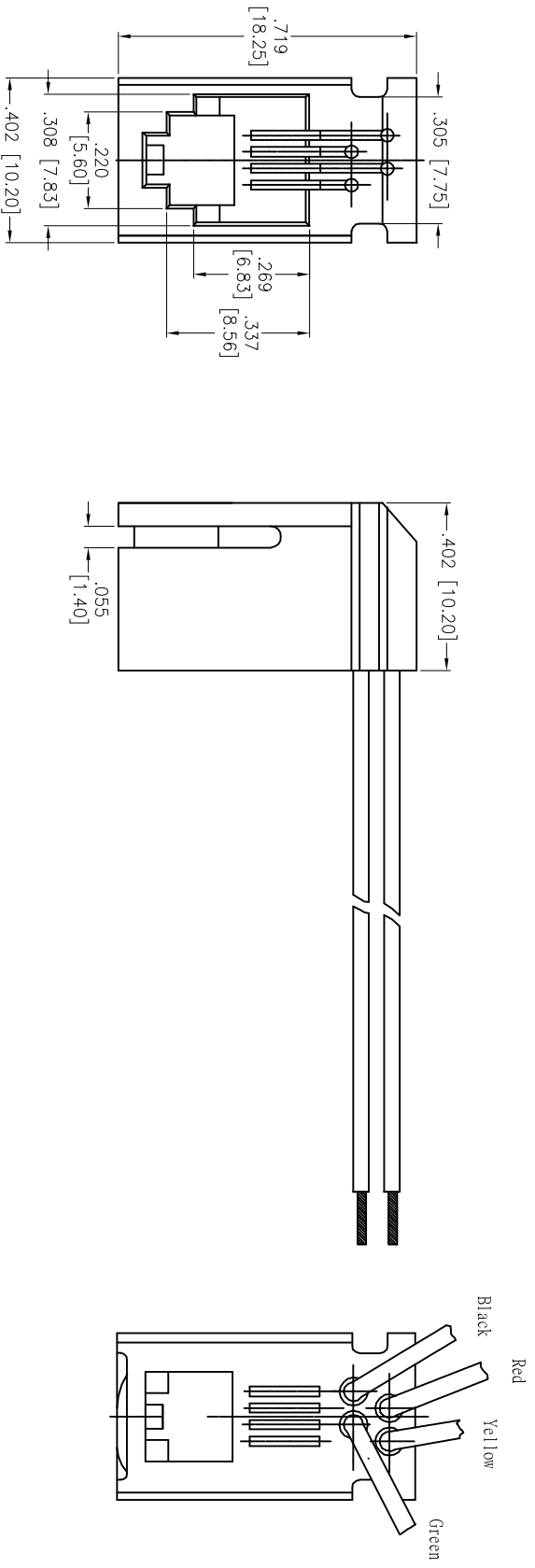
2

1

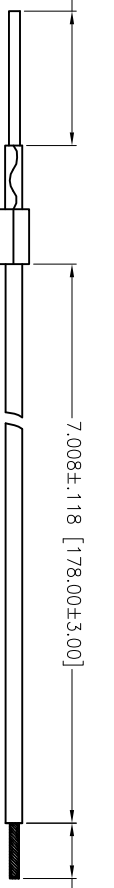
APPROVED: _____
 DATE: _____ TITLE: _____

THIS IS A CUSTOM CABLE PRODUCT THAT IS NON-CANCELABLE / NON-RETURNABLE

Rev	AWO #	Description	Date	Appr
-	9929	RELEASED	12/18/09	
A		REDRAWN	05/24/12	



Black & Green Line: .382±.004 [9.70±0.10]
 Red & Yellow: .441±.004 [11.20±0.10]



Stripped & Tinned
 .256±.039
 [6.50±1.00]

SPECIFICATIONS:

Material: Insulator: ABS, rated UL 94V-0
 Insulator color: Deep Grey
 Contacts: Phosphor Bronze
 Wire: 26 Awg, UL 1061
 PVC Coated

Plating: Gold over Nickel underplate on mating area
 (See plating chart for thickness)

Electrical: Operation voltage: 150 VAC max
 Current rating: 1.5 Amps max
 Insulation resistance: 1000 Mohms min @ 500 VDC
 Dielectric withstanding voltage: 1000 VAC for 1 minute
 Environmental: Operating temperature: -40°C to +70°C
 Lead free, RoHS compliant.

X	PLATING
0	15 μ" Gold
1	30 μ" Gold
2	50 μ" Gold

UNLESS OTHERWISE SPECIFIED
 ALL DIMENSIONS ARE INCHES [MM]
 TOLERANCES: EXCEPT AS NOTED
 INCHES HOLE SIZES ±.10
 .XX ±.020 ØXXX ±.015
 .XXX ±.015 ØXXX ±.010
 APPROVALS DATE

ADAM TECH

909 Rahway Avenue, Union, NJ 07083
 Phone: 908-687-5000 Fax: 908-687-5710

WIREED JACK, 616L, PANEL MOUNT
 COLOR GRAY

SIZE	PART NO.	REV.
X	MTJP-616L-X-A1-2	A

DRAWN: DY DATE: 12/18/09
 CHECKED: APPROVED: REF: S00003C SCALE: NTS SHEET 1 OF 1

6

5

4

3

2

1