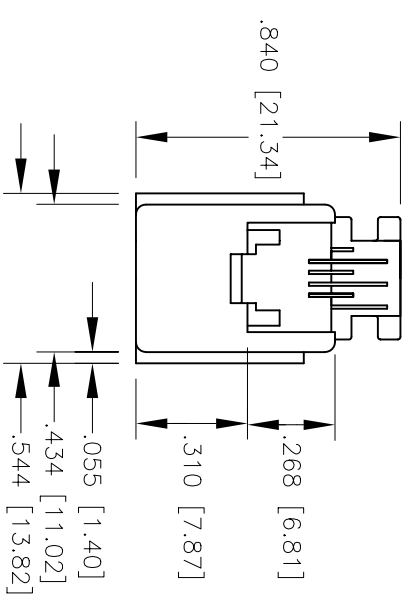
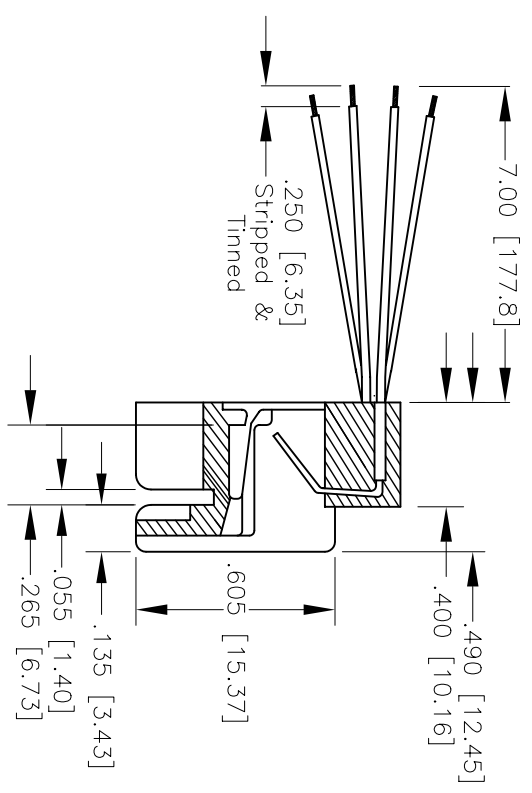
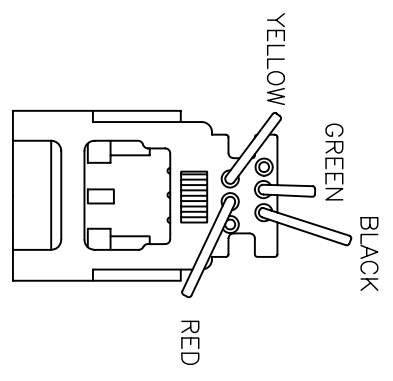


APPROVED: \_\_\_\_\_ TITLE: \_\_\_\_\_  
 DATE: \_\_\_\_\_

Rev	Description	Date	Appr
-	Released	7/27/04	



**SPECIFICATION:**

**Material:**

Insulator: Polybutylene Terephthalate (PBT), glass-reinforced thermoplastic rated UL 94V-0, Color: Black

Contacts: Copper Alloy

**Plating:**

"X" µin gold to MIL-G-45204, Type II, Grade C on contact area over 50 µin min nickel underplate to QQ-N-290, Grade C, tin-lead on solder tails.

**Electrical:**

Operation voltage: 150 VAC max

Current rating: 1 Amp max

Contact resistance: 20 mohm max

Insulation resistance: 500 Mohm min @ 100 VDC between adjacent contacts

Dielectric withstanding voltage: 1000 VAC/minute between adjacent contacts.

**Environmental:**

Operating temperature: -40°C to +70°C

**CAVITY CONFORMS TO FCC RULES AND REGULATIONS, PART 68, SUBPART F**

X	PLATING
0	15 µin Gold
1	30 µin Gold
2	50 µin Gold

**ADAM TECH**

Dimensions: In [mm]

Tolerances: Except As Noted (Inches)

.XX ± .010  
 .XXX ± .005

DRAWN : SS

APPR :

Date: 7/27/04

SCALE : NTS

**DESCRIPTION :**

Modular Telephone Jack, 4.0" Lead, Stripped 1/4" and Tinned

**PART NUMBER :**

MTJP - 623 - P4 - X - A1 - 1

SHEET	LOG	REF.	REV.
1 OF 1			-