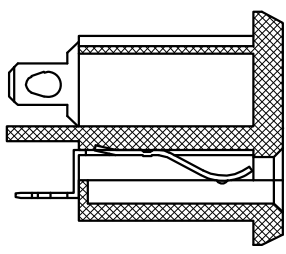
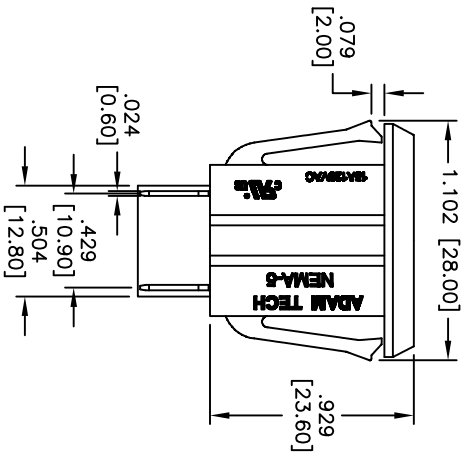
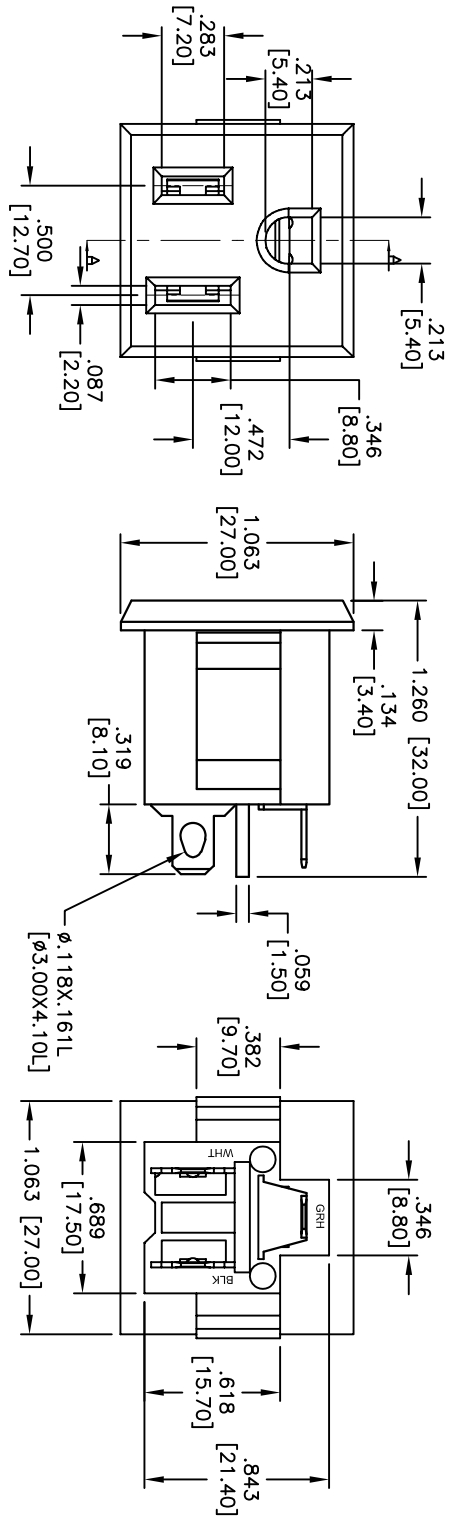
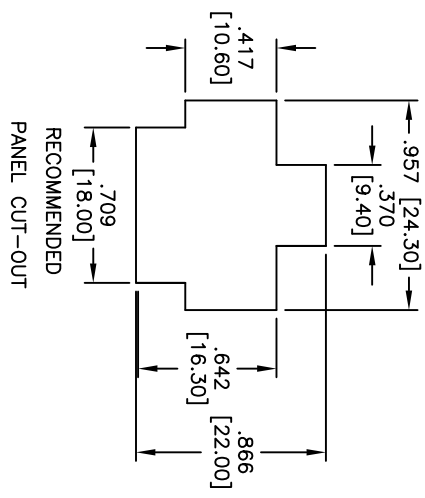


APPROVED: \_\_\_\_\_  
 DATE: \_\_\_\_\_ TITLE: \_\_\_\_\_

Rev	AWO #	Description	Date	Appr
-		RELEASED	7/31/13	
A		ADDED & REVISED DIM.	8/19/13	



SECTION A-A



RECOMMENDED  
 PANEL CUT-OUT

**SPECIFICATIONS:**

Material: Insulator: PBT, rated UL 94V-0  
 Insulator color: Black  
 Contacts: Copper Alloy  
 Plating: Tin over Copper underplate overall  
 Electrical: Operating voltage: 125 VAC  
 Current rating: 15 Amps max  
 Insulation resistance: 1000 Mohms min @ 500 VDC  
 Dielectric withstanding voltage: 3,000 VAC for 1 minute  
 Environmental: Lead free, RoHS compliant

A

B

C

D

A

B

C

D

**ADAM TECH**  
 909 Rahway Avenue, Union, NJ 07083  
 Phone: 908-687-5000 Fax: 908-687-5710

NEMA RECEPTACLE

UNLESS OTHERWISE SPECIFIED ALL DIMENSIONS ARE INCHES [MM]		TOLERANCES: EXCEPT AS NOTED	
.X	± .10	ØX	± .10
.XX	± .020	ØXX	± .015
.XXX	± .015	ØXXX	± .010
APPROVALS		DATE	
DRAWN	AY	7/31/13	
CHECKED	LW	7/31/13	
APPROVED			
TITLE		SIZE	PART NO.
NEMA RECEPTACLE		X	NEMA-5-1-B
REF: S00087C		SCALE: NTS	SHEET 1 OF 1

