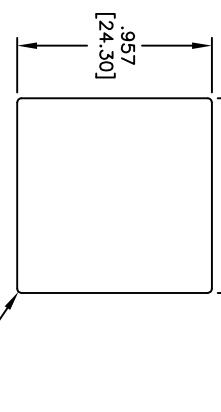
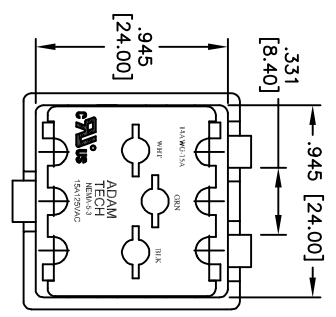
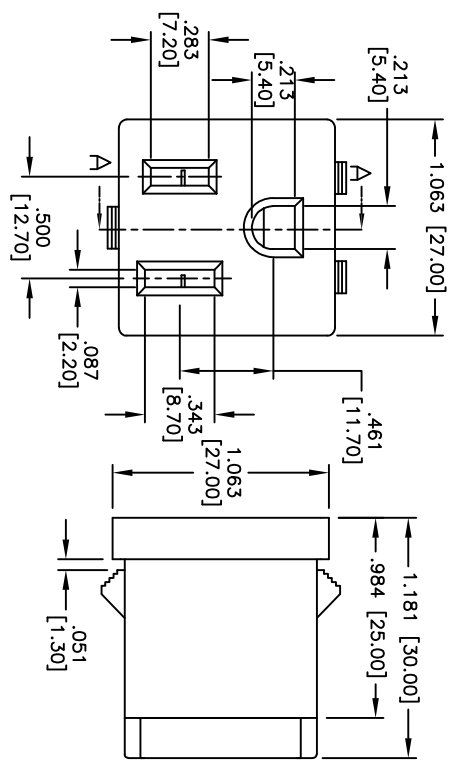
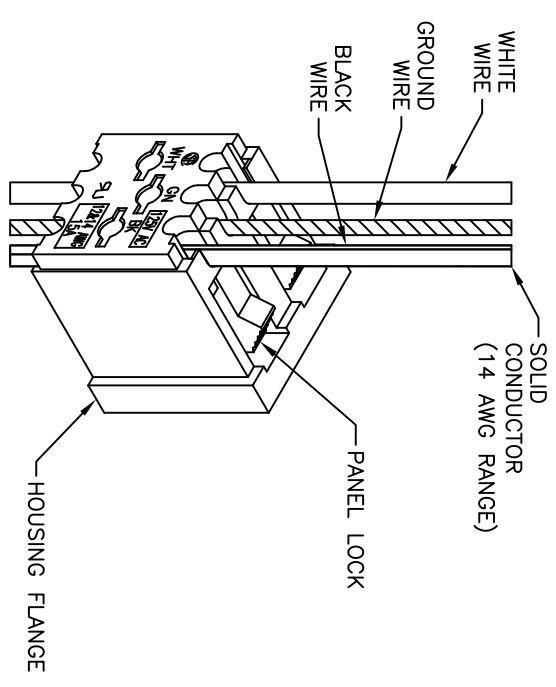
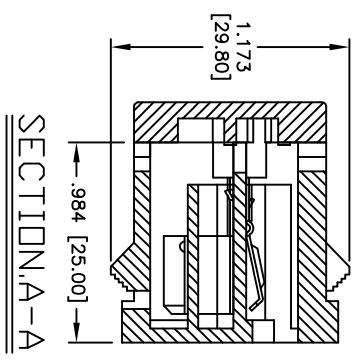
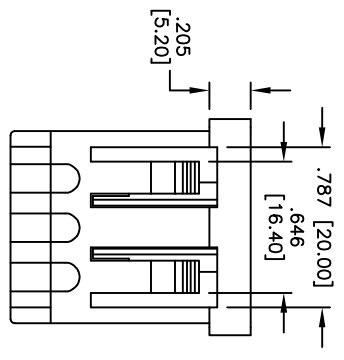


APPROVED: _____
 DATE: _____ TITLE: _____

Rev	AWO #	Description	Date	Appr
-		RELEASED	1/19/05	
A		REVISED SHAPE & DIM.	2/18/14	AV/KW



PANEL CUT-OUT
 Panel Thickness:
 0.8mm to 1.5mm



SPECIFICATIONS:

Material:
 Insulator: Nylon 66, rated UL94V-0
 Insulator color: Black
Contacts: Copper Alloy, Tin plated
Electrical:
 Operating voltage: (C-ULus) 125 VAC
 Current rating: (C-ULus) 15 Amps max.
 Insulation resistance: 100 Mohms min. @ 500 VDC
 Dielectric withstanding voltage: 3,000 VAC for 1 minute
 Recommended wire size: 14 AWG solid
 Environmental:
 Lead free, RoHS Compliant

UNLESS OTHERWISE SPECIFIED
 ALL DIMENSIONS ARE INCHES [MM]
 TOLERANCES: EXCEPT AS NOTED
 INCHES Holes
 .X ± .10
 .XX ± .020
 .XXX ± .015
 .XXX ± .010

ADAM TECH
 909 Railway Avenue, Union, NJ 07083
 Phone: 908-687-5000 Fax: 908-687-5710

DRAWN	SS	1/19/05	SIZE	PART NO.	REV.
CHECKED			X	NEMA-5-3	A
APPROVED			REF:	S00087C	
APPROVALS			SCALE:	NTS	SHEET 1 OF 1
TITLE			NEMA UNIVERSAL PANEL SNAP RECEPTACLE		