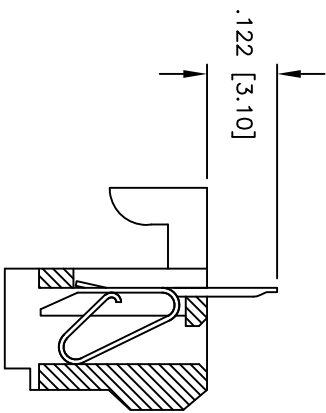
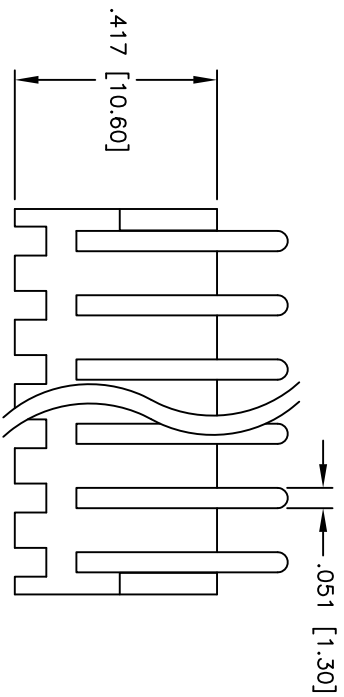
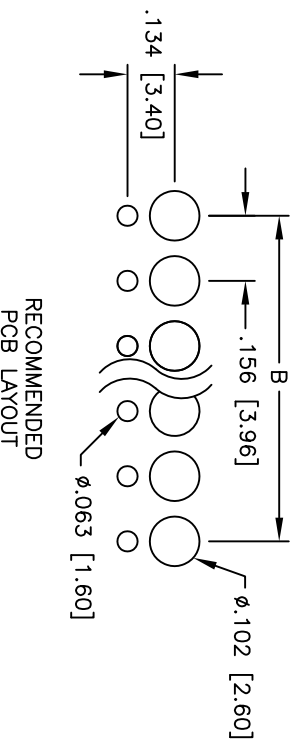
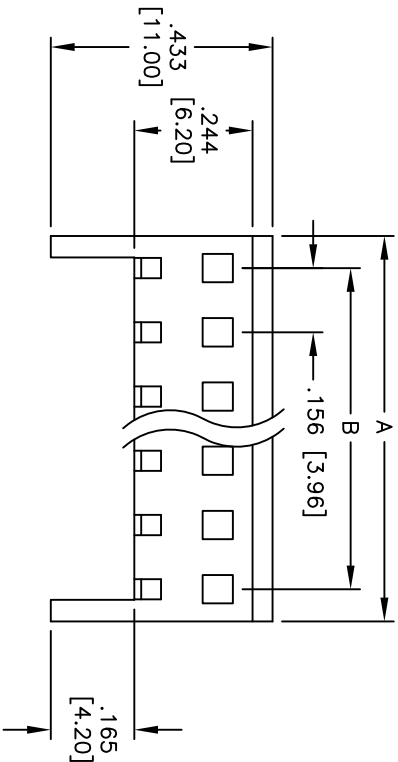


APPROVED: _____
 DATE: _____ TITLE: _____

Rev	AWO #	Description	Date	Appr
-		RELEASED	6/2/05	
A		REVISED SPEC.	4/27/09	



SPECIFICATIONS:
 Material: Insulator: Nylon 66, rated UL 94V-2
 Insulator color: Natural
 Contacts: Phosphor Bronze
 Plating: Tin over Copper underplate overall
 Electrical: Operating voltage: 250 VAC max.
 Current rating: 7 Amps max.
 Contact resistance: 10 mohms max. initial
 Insulation resistance: 1,000 Mohms min.
 Dielectric withstanding voltage: 1,500 VAC for 1 minute
 Mechanical: Recommended PCB thickness: 0.063" (1.60mm)
 Temperature Rating: Operating temperature: -40°C to +105°C

Positions: 02 thru 20
 A = .156 [3.96] x No. of Positions
 B = .156 [3.96] x No. of Spaces

Environmental: Lead free, RoHS compliant
 Recommended soldering temp: 235°C for 5 seconds



UNLESS OTHERWISE SPECIFIED ALL DIMENSIONS ARE INCHES [MM]	
TOLERANCES: EXCEPT AS NOTED	
INCHES	HOLES
.X ± .10	Ø.X ± .10
.XX ± .020	Ø.XXX ± .015
.XXX ± .015	Ø.XXX ± .010
APPROVALS	DATE
DRAWN	SS
CHECKED	
APPROVED	

ADAM TECH
 909 Rahway Avenue, Union, NJ 07083
 Phone: 908-687-5000 Fax: 908-687-5710
 TITLE: .156 [3.96] PCB CONNECTOR
 BOARD HOOKS, BOTTOM ENTRY

SIZE	PART NO.	REV.
X	PCD-C-XX	A
REF: S00099T	SCALE: NTS	SHEET 1 OF 1