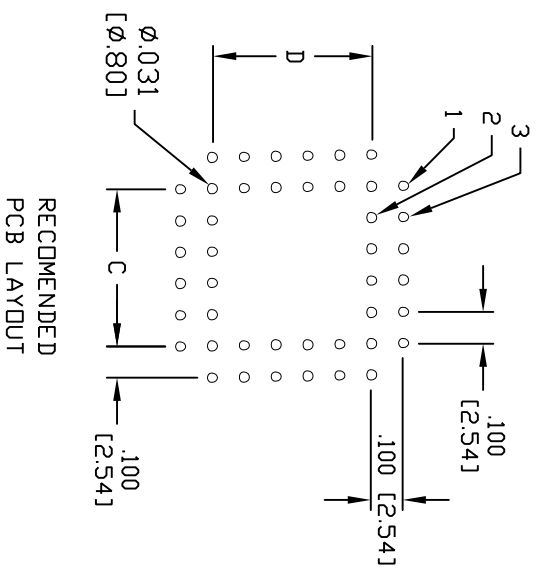
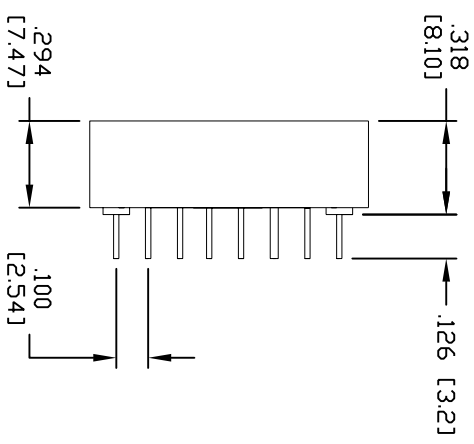
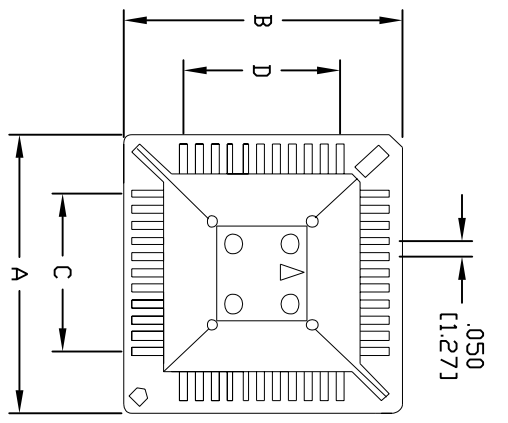


Rev	AWO #	Description	Date	Appr
-		RELEASED	11/8/04	

APPROVED: _____
 DATE: _____ TITLE: _____



POSITIONS	A		B		C		D	
	INCHES	MM	INCHES	MM	INCHES	MM	INCHES	MM
20	0.610	15.50	0.610	15.50	0.200	5.08	0.200	5.08
28	0.710	18.03	0.710	18.03	0.300	7.62	0.300	7.62
32	0.710	18.03	0.810	20.57	0.300	7.62	0.400	10.16
44	0.925	23.50	0.925	23.50	0.500	12.70	0.500	12.70
52	1.018	25.88	1.018	25.88	0.600	15.24	0.600	15.24
68	1.245	31.60	1.245	31.60	0.800	20.32	0.800	20.32
84	1.445	36.70	1.445	36.70	1.000	25.40	1.000	25.40

SPECIFICATIONS:

Material:
 Insulator: PBT, glass reinforced, rated UL 94V-0
 Insulator color: Black
 Contacts: Phosphor Bronze
 Plating:
 Gold Flash over Nickel underplate overall
Electrical:
 Operating voltage: 250 VAC max
 Current rating: 1 Amp max
 Contact resistance: 30 mohms max
 Insulation resistance: 1000 Mohms min
 Dielectric withstanding voltage: 500 VAC for 1 minute
 Temperature Rating:
 Operating temperature: -55°C to +105°C

UNLESS OTHERWISE SPECIFIED
 ALL DIMENSIONS ARE INCHES [MM]
 TOLERANCES: EXCEPT AS NOTED
 INCHES Holes
 .X ± .10 ØXX ± .10
 .XX ± .020 ØXXX ± .015
 .XXX ± .015 ØXXXX ± .010

ADAM TECH

909 Railway Avenue, Union, NJ 07083
 Phone: 908-687-5000 Fax: 908-687-5710

PLCC SOCKET, 20 ~ 84 POSITION, PCB

DRAWN	SS	11/8/04	DATE	SIZE	PART NO.	PLCC-XX-AG	REV.
CHECKED				X			
APPROVED				REF:	SCALE:	NTS	SHEET 1 OF 1