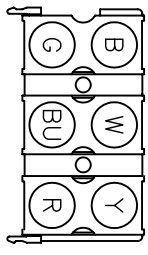
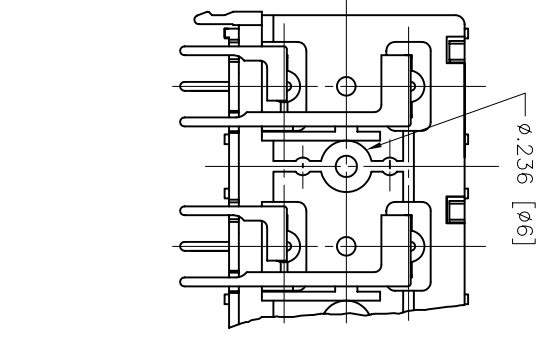
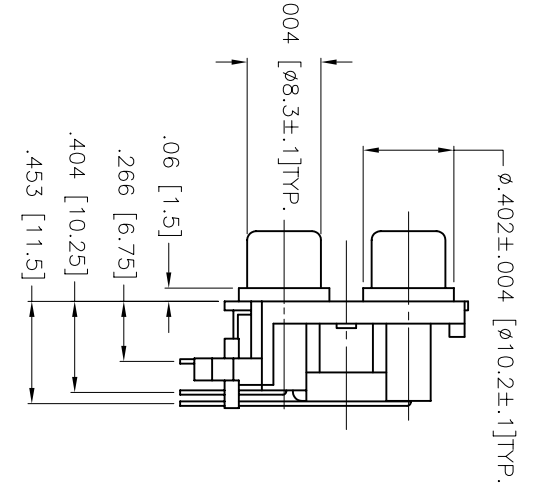
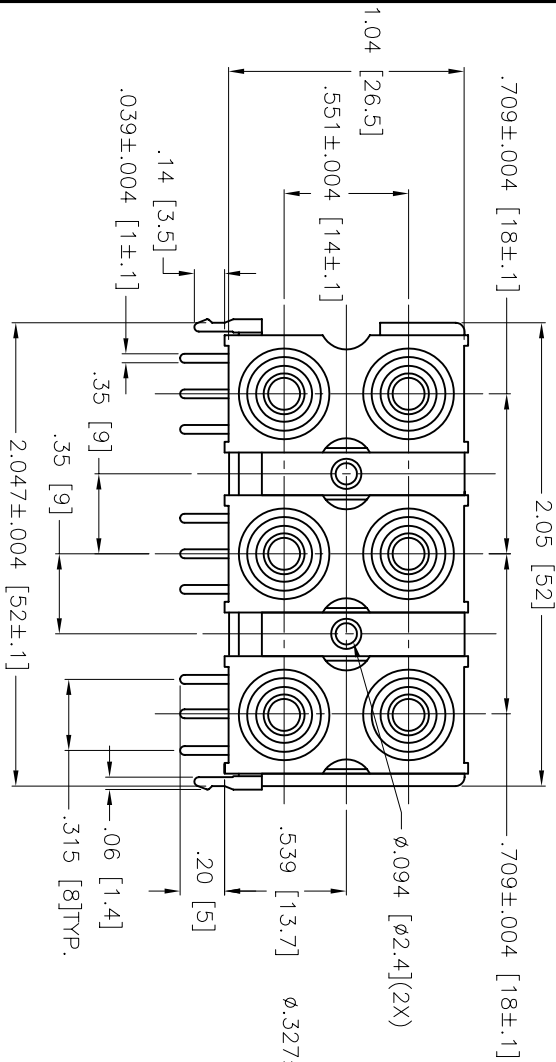


Rev	AWO #	Description	Date	Appr
-		RELEASED	10/24/05	

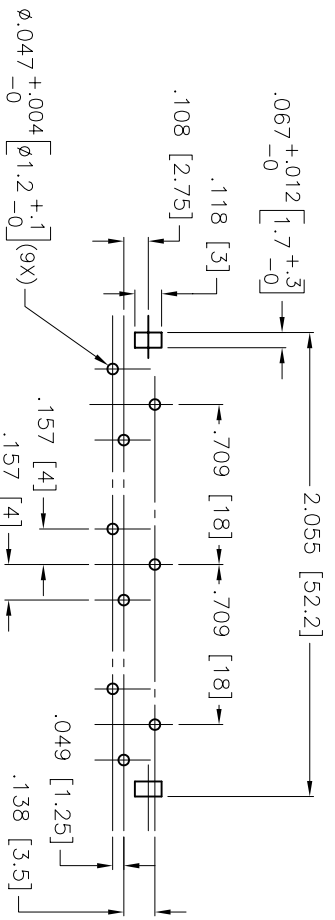
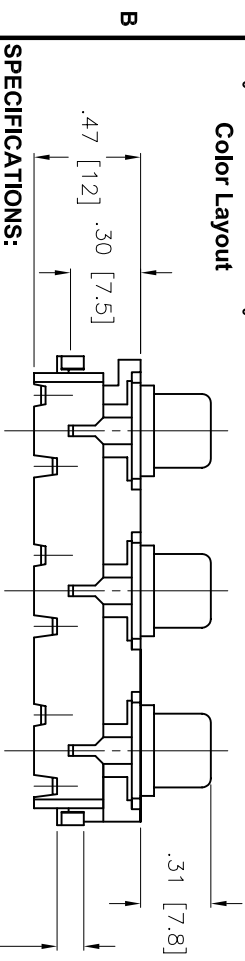
APPROVED: _____

DATE: _____

TITLE: _____



B = BLACK G = GREEN
 W = WHITE BU = BLUE
 Y = YELLOW R = RED



Recommended PCB Layout
 Tolerance: ±.004 [±.10]

SPECIFICATIONS:

Material:
 Insulator: ABS, rated UL94HB, Color: Black

Barrels: Steel, Gold plated
 Contacts: Brass

Plating:

Center Contacts: Tin Plated
 Outer Contacts: Nickel Plated

Electrical:

Voltage rating: 12V DC
 Current rating: 1 Amps DC or AC
 Contact resistance: 30 mohms max
 Insulation resistance: 100 Mohms min
 Dielectric withstanding voltage: 500 VAC for 1 minute
Temperature Rating:
 Operating temperature: -25°C to +70°C

ADAM TECH

909 Rahway Avenue, Union, NJ 07083
 Phone: 908-687-5000 Fax: 908-687-5710

RCA JACK, 6 PORT STACKED, RIGHT ANGLE
 PCB, SPC COLORS, GOLD PL BARREL

UNLESS OTHERWISE SPECIFIED ALL DIMENSIONS ARE MM [INCHES] TOLERANCES: EXCEPT AS NOTED	
.X ± .10	ØXX ± .10
.XX ± .020	ØXXX ± .015
.XXX ± .015	ØXXXX ± .010
APPROVALS	DATE
DRAWN	BAS
CHECKED	
APPROVED	

TITLE		PART NO.		REV.	
RCA JACK, 6 PORT STACKED, RIGHT ANGLE		RCA-114-SPC-1-G		A	
PCB, SPC COLORS, GOLD PL BARREL		SCALE: NTS		SHEET 1 OF 1	