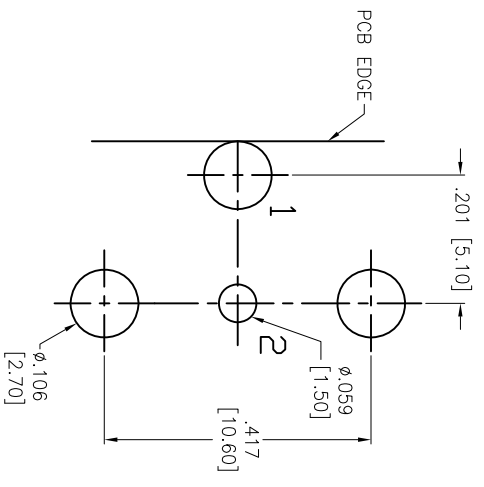
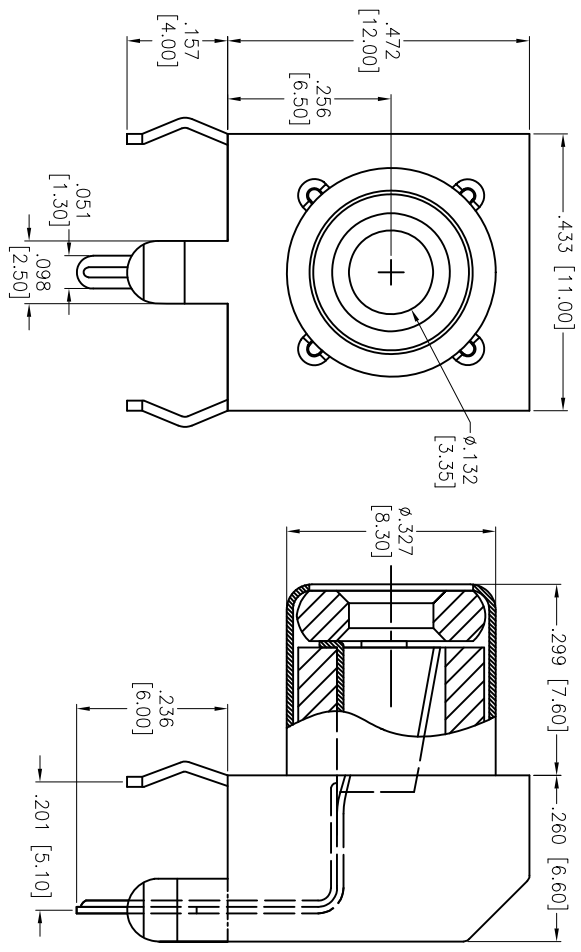


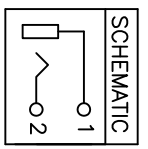
APPROVED: _____
 DATE: _____ TITLE: _____

Rev	AWO #	Description	Date	Appr
-		RELEASED	12/10/04	
A		REDRAWN	07/02/12	



RECOMMENDED PCB LAYOUT

SPECIFICATIONS:
 Material: Insulator: PBT, Glass reinforced, rated UL 94V-0
 Insulator colors: Red, Black, Yellow, White
 Contacts: Brass
 Hardware: Steel
 Plating: Tin over Copper underplate
 Electrical: Operating voltage: 12 VDC max.
 Current rating: 2 Amp max.
 Contact resistance: 30 Mohms max. initial
 Insulation resistance: 100 Mohms min.
 Dielectric withstanding voltage: 500 VAC for 1 minute
 Environmental: Lead free, RoHS compliant.



PART NO.	COLOR
RCA-1-1-R	RED
RCA-1-1-B	BLACK
RCA-1-1-W	WHITE
RCA-1-1-Y	YELLOW

UNLESS OTHERWISE SPECIFIED
 ALL DIMENSIONS ARE IN INCHES [MM]
 TOLERANCES: EXCEPT AS NOTED
 INCHES HOLE SIZES
 .X ± .10 ØXX ± .10
 .XX ± .020 ØXXX ± .015
 .XXX ± .015 ØXXXX ± .010

ADAM TECH
 909 Rahway Avenue, Union, NJ 07083
 Phone: 908-687-5000 Fax: 908-687-5710

ENVIRONMENTAL:
 Lead free, RoHS compliant.

APPROVALS	DATE
DRAWN	SS
CHECKED	
APPROVED	

SIZE	PART NO.	REV.
X	RCA-1-1-X	A

REF: S00095T SCALE: NTS SHEET 1 OF 1



6 5 4 3 2 1