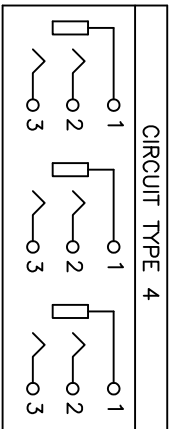
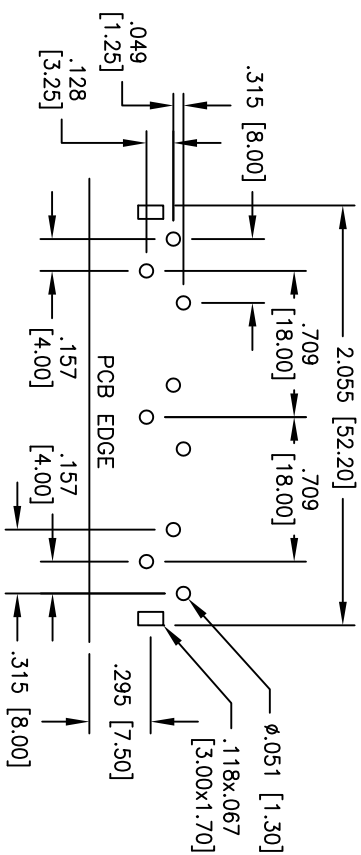
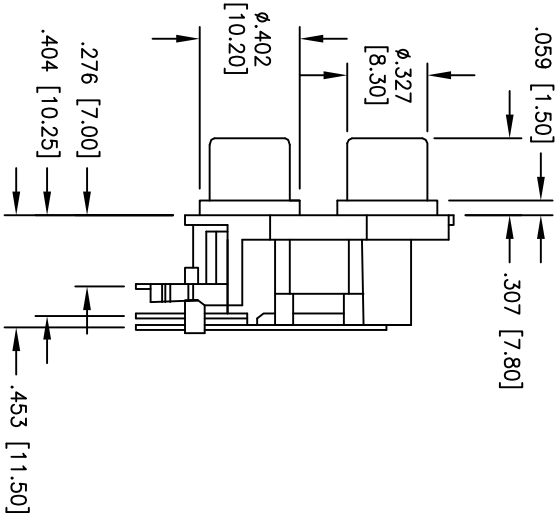
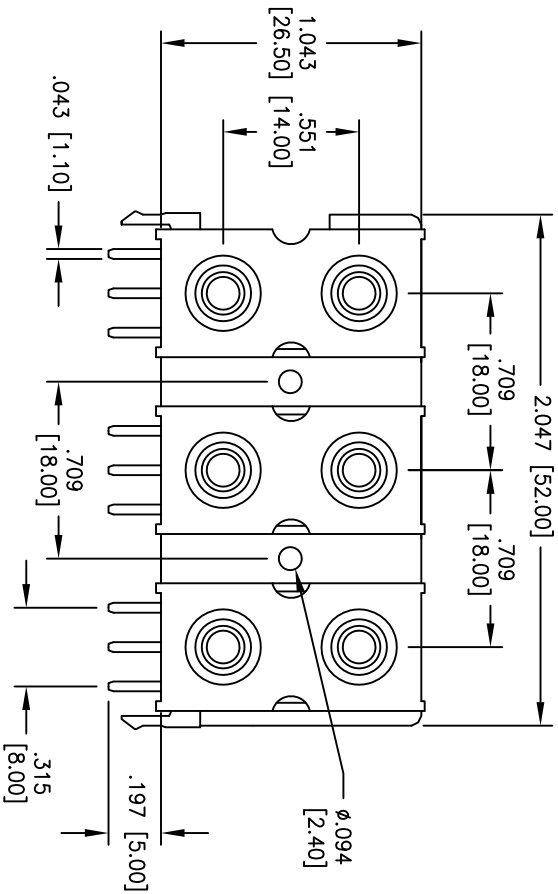


Rev	AWO #	Description	Date	Appr
-		RELEASED	10/21/09	

APPROVED: _____

DATE: _____ TITLE: _____



SPECIFICATIONS:

- Material: Insulator: PBT, Glass reinforced, rated UL 94V-0
- Insulator color: Black
- Inserts: PBT, Color Black
- Bushing: Brass, Nickel plated
- Contacts: Brass
- Plating: Tin or Silver over Copper underplate

- Electrical: Operating voltage: 12 VDC max.
- Current rating: 1 Amp max.
- Contact resistance: 30 mohms max. initial
- Insulation resistance: 100 Mohms min.
- Dielectric withstanding voltage: 500 VAC for 1 minute
- Temperature Rating: Operating temperature: -25°C to +85°C

- Environmental: Environmental: Lead free, RoHS Compliant
- Recommended soldering temp: 235°C for 5 seconds



ADAM TECH

909 Railway Avenue, Union, NJ 07083
 Phone: 908-687-5000 Fax: 908-687-5710

TITLE: RCA JACK, 6 PORTS, 2 X 3, LEFT/CENTER/RIGHT

UNLESS OTHERWISE SPECIFIED ALL DIMENSIONS ARE INCHES [MM] TOLERANCES: EXCEPT AS NOTED		APPROVALS	
INCHES	HOLES	DATE	
.X ± .10	Ø.XX ± .015	10/21/09	
.XX ± .020	Ø.XXX ± .015		
.XXX ± .015	Ø.XXX ± .010		
CHECKED	DRAWN	DATE	
	DY	10/21/09	
APPROVED			
SIZE	PART NO.	TITLE	REV.
X	RCA-114-B/B/B	RCA JACK, 6 PORTS, 2 X 3, LEFT/CENTER/RIGHT	-
REF.	SCALE: NTS	SHEET 1 OF 1	