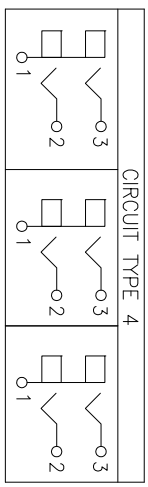
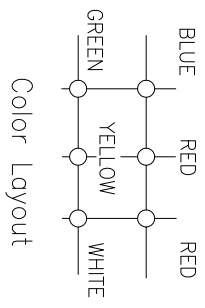
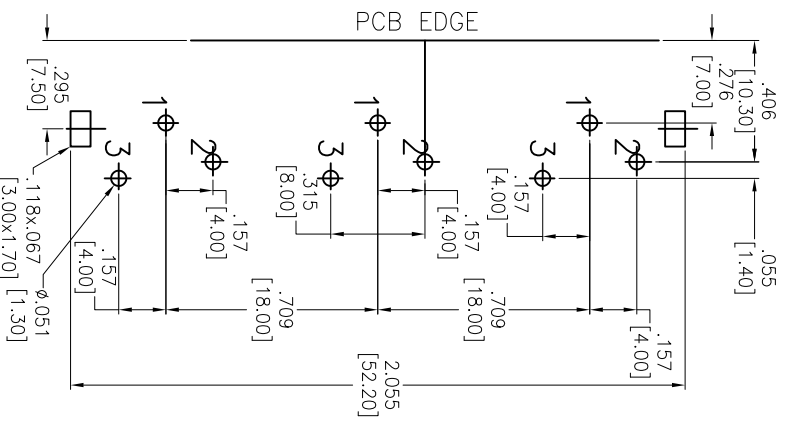
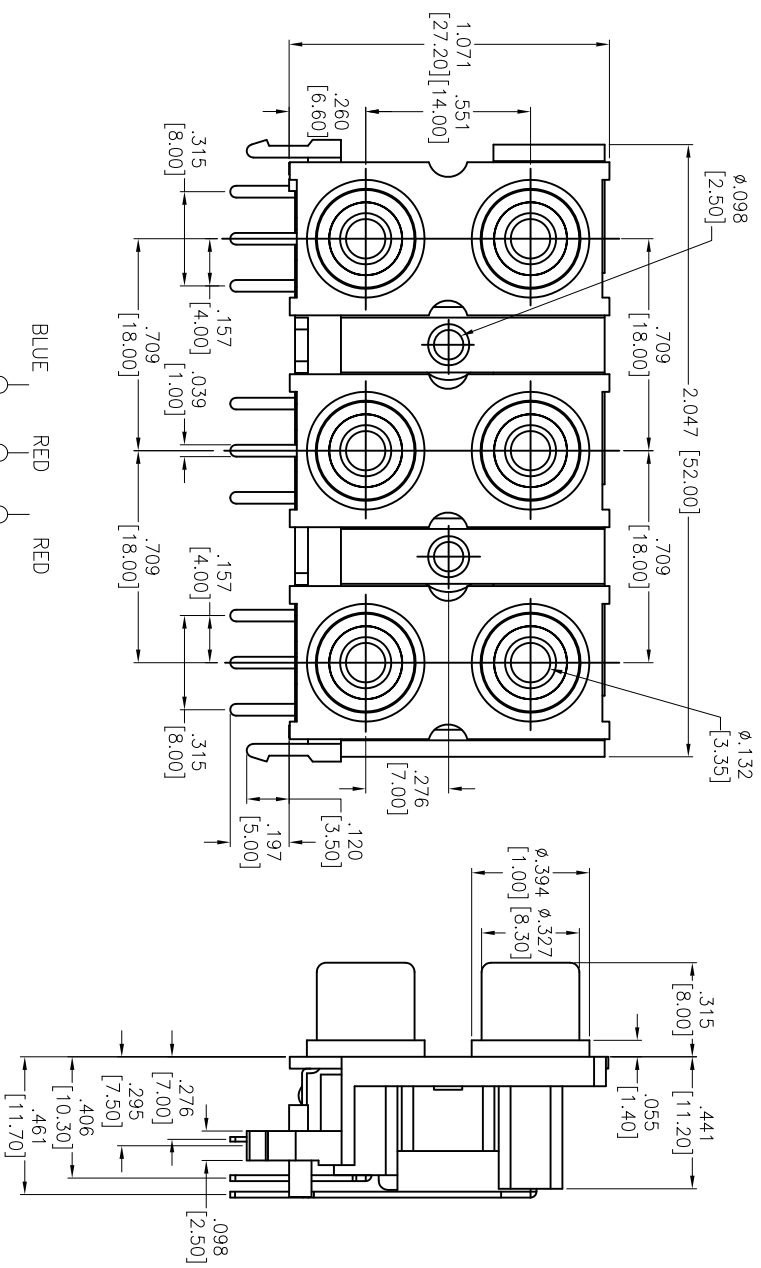


Rev	AWO #	Description	Date	Appr
-		RELEASED	12/07/12	

APPROVED: _____
 DATE: _____ TITLE: _____



SPECIFICATIONS:
 Material: PBT, Glass reinforced, rated UL 94V-0
 Insulator Color: White
 Inserts: ABS, Color Blue, Green, Red Yellow, White
 Cover: ABS, Color: Black
 Contacts: Brass
 Barrel: Brass, Nickel plated
 Plating: Tin over Copper underplate
 Electrical: Current rating: 2A Max. @12VDC
 1A Max. @100VAC
 Contact resistance: 30 mohms max. initial
 Insulation resistance: 100 Mohms min.
 Dielectric withstanding voltage: 500 VAC for 1 minute
 Environmental: Lead free, RoHS Compliant

UNLESS OTHERWISE SPECIFIED
 ALL DIMENSIONS ARE IN INCHES [MM]
 TOLERANCES: EXCEPT AS NOTED
 INCHES HOLEES

.X	± .10	ØXX	± .10
.XX	± .020	ØXXX	± .015
.XXX	± .015	ØXXXX	± .010

ADAM TECH
 909 Rahway Avenue, Union, NJ 07083
 Phone: 908-687-5000 Fax: 908-687-5710

ADAM TECH
 909 Rahway Avenue, Union, NJ 07083
 Phone: 908-687-5000 Fax: 908-687-5710



DRAWN	TW	12/07/12	DATE
CHECKED	AH	12/07/12	DATE
APPROVED			

SIZE	PART NO.	REV.
X	RCA-11-4-BL/G/R/Y/R/W	-
REF:	S00095T	SHEET 1 OF 1