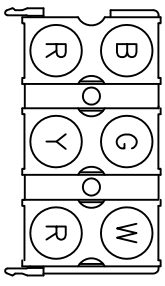
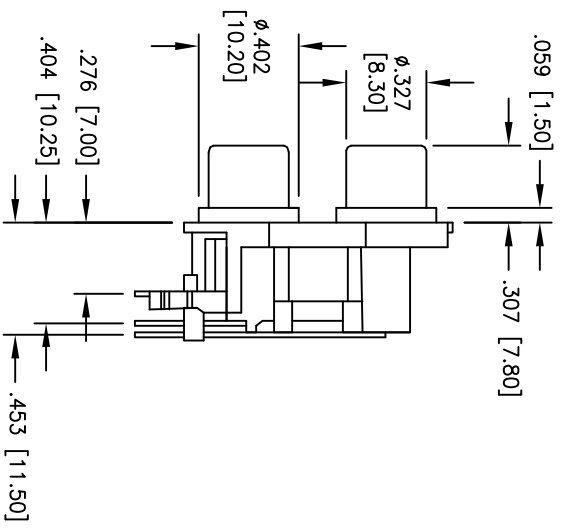
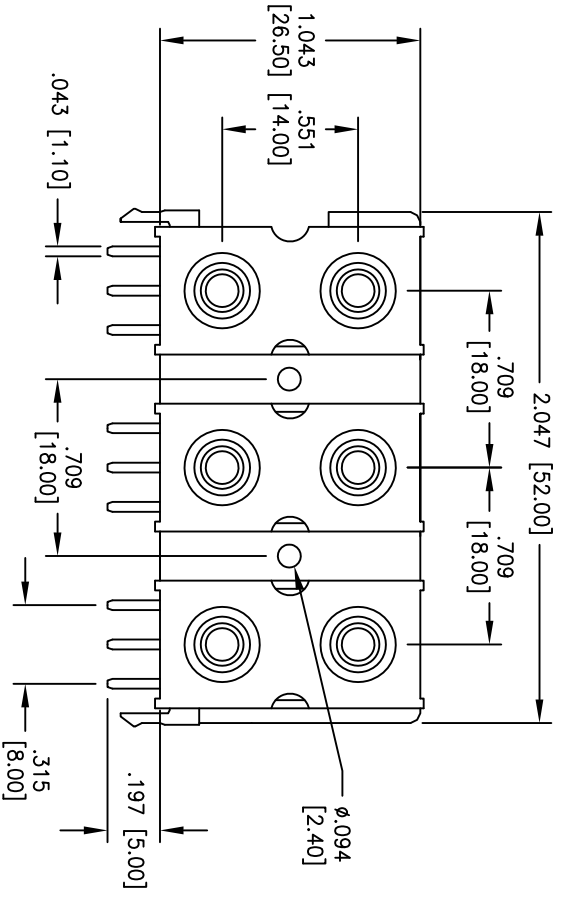
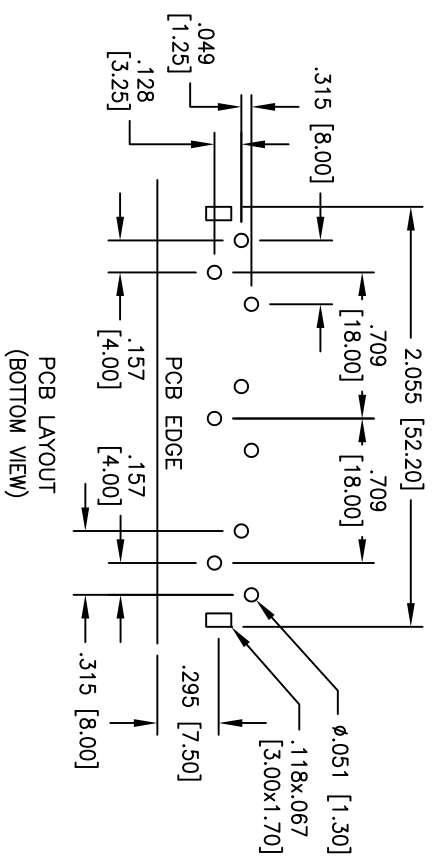
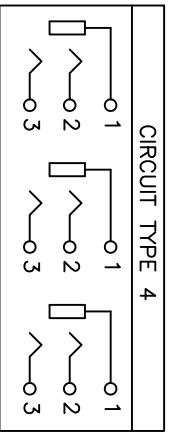


Rev	AWO #	Description	Date	Appr
-		RELEASED	10/21/09	

APPROVED: _____
 DATE: _____ TITLE: _____



B = BLACK
 R = RED
 G = GREEN
 Y = YELLOW
 W = WHITE



PCB LAYOUT
 (BOTTOM VIEW)

SPECIFICATIONS:

Material:
 Insulator: PBT, Glass reinforced, rated UL 94V-0
 Insulator color: Black
 Inserts: PBT, Color Black, Red, Green, Yellow, White
 Bushing: Brass, Nickel plated
 Contacts: Brass

Plating:
 Tin or Silver over Copper underplate
Electrical:
 Operating voltage: 12 VDC max.
 Current rating: 1 Amp max.
 Contact resistance: 30 mohms max. initial
 Insulation resistance: 100 Mohms min.
 Dielectric withstanding voltage: 500 VAC for 1 minute
Temperature Rating:
 Operating temperature: -25°C to +85°C

Environmental:
 Lead free, RoHS Compliant
 Recommended soldering temp: 235°C for 5 seconds



UNLESS OTHERWISE SPECIFIED
 ALL DIMENSIONS ARE INCHES [MM]
 TOLERANCES: EXCEPT AS NOTED
 INCHES HOLES
 .X ± .10 ØXX ± .10
 .XX ± .020 ØXXX ± .015
 .XXX ± .015 ØXXX ± .010

ADAM TECH
 909 Railway Avenue, Union, NJ 07083
 Phone: 908-687-5000 Fax: 908-687-5710

APPROVALS	DATE	TITLE
DRAWN DY	10/21/09	RCA JACK, 6 PORTS, 2 X 3
CHECKED		
APPROVED		

SIZE	PART NO.	REV.
X	RCA-114-B/R/G/Y/W/R	-

REF.	SCALE	NTS	SHEET	1 OF 1