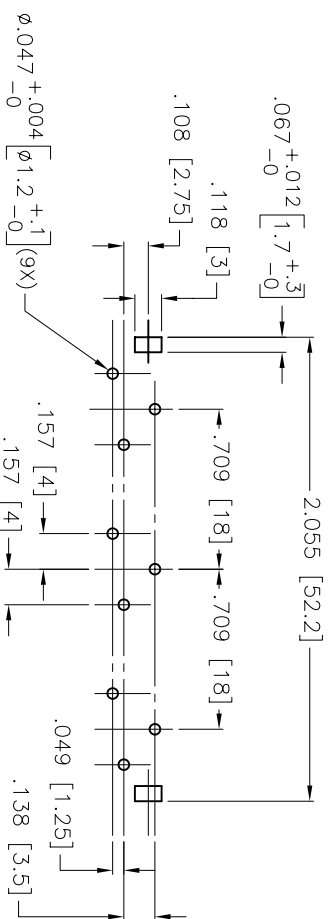
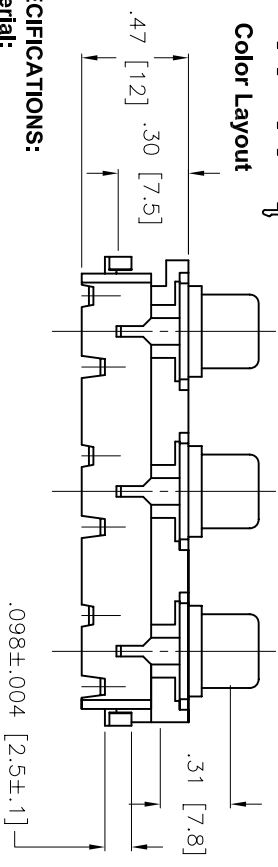
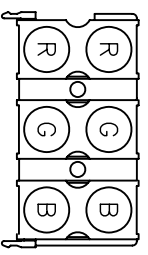
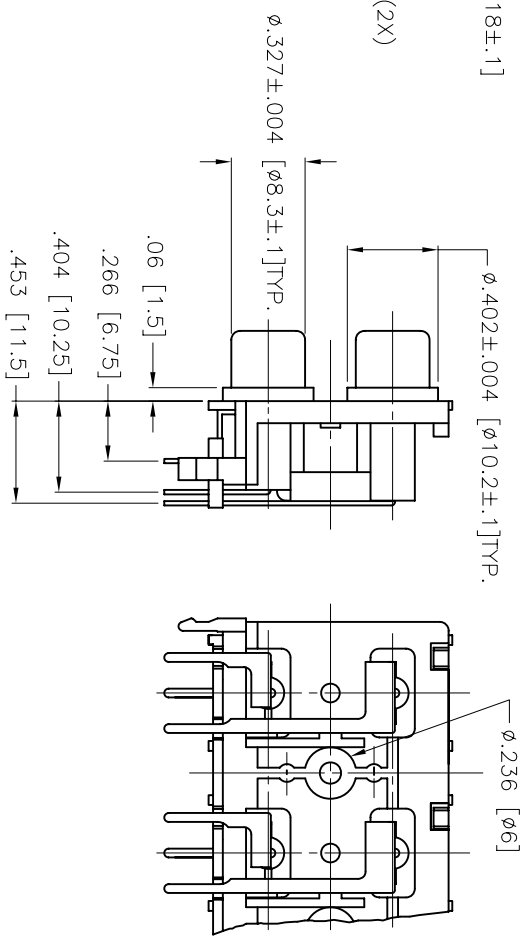
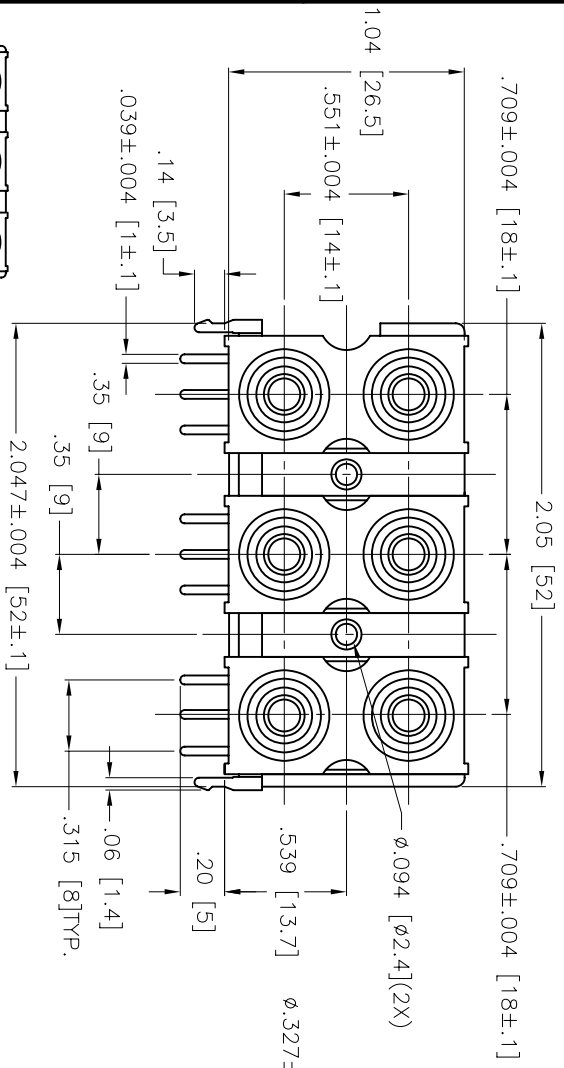


APPROVED: \_\_\_\_\_

DATE: \_\_\_\_\_

TITLE: \_\_\_\_\_

Rev	AWO #	Description	Date	Appr
-	7498	RELEASED	2/13/07	



**SPECIFICATIONS:**

**Material:**  
Insulator: ABS, rated UL94HB, Color: Black  
Contacts: Brass

**Plating:**  
Center Contacts: Tin Plated  
Outer Contacts: Nickel Plated

**Electrical:**  
Voltage rating: 12V DC  
Current rating: 1 Amps DC or AC  
Contact resistance: 30 mohms max  
Insulation resistance: 100 Mohms min  
Dielectric withstanding voltage: 500 VAC for 1 minute

**Temperature Rating:**  
Operating temperature: -25°C to +70°C

**Environmental:**  
Lead free, RoHS Compliant  
Recommended soldering temp. 235°C. for 5 seconds.



UNLESS OTHERWISE SPECIFIED  
ALL DIMENSIONS ARE MM [INCHES]  
TOLERANCES: EXCEPT AS NOTED

INCHES: .10 ± .10  
.XX ± .020  
.XXX ± .015

HOLES: .XX ± .10  
ØXX ± .015  
ØXXX ± .010

APPROVALS: \_\_\_\_\_ DATE: \_\_\_\_\_

**ADAM TECH**  
909 Rahway Avenue, Union, NJ 07083  
Phone: 908-687-5000 Fax: 908-687-5710

TITLE: RCA JACK, 6 PORT STACKED, RIGHT ANGLE  
PCB, RED/ GREEN / BLACK

DRAWN	BW	2/13/07	SIZE	PART NO.	RCA-114-RGB	SCALE:	NTS	SHEET	1 OF 1
CHECKED			REF:						
APPROVED									